

**TECNO**

# SPARK 7

User Manual

دليل المستخدم

Manuel d'utilisateur

Mobile Phone  
Model: KF6j

Hereby, TECNO MOBILE LIMITED  
declares that this Mobile Phone is in compliance  
with the essential requirements and other relevant  
provisions of Directive 2014/53/EU.

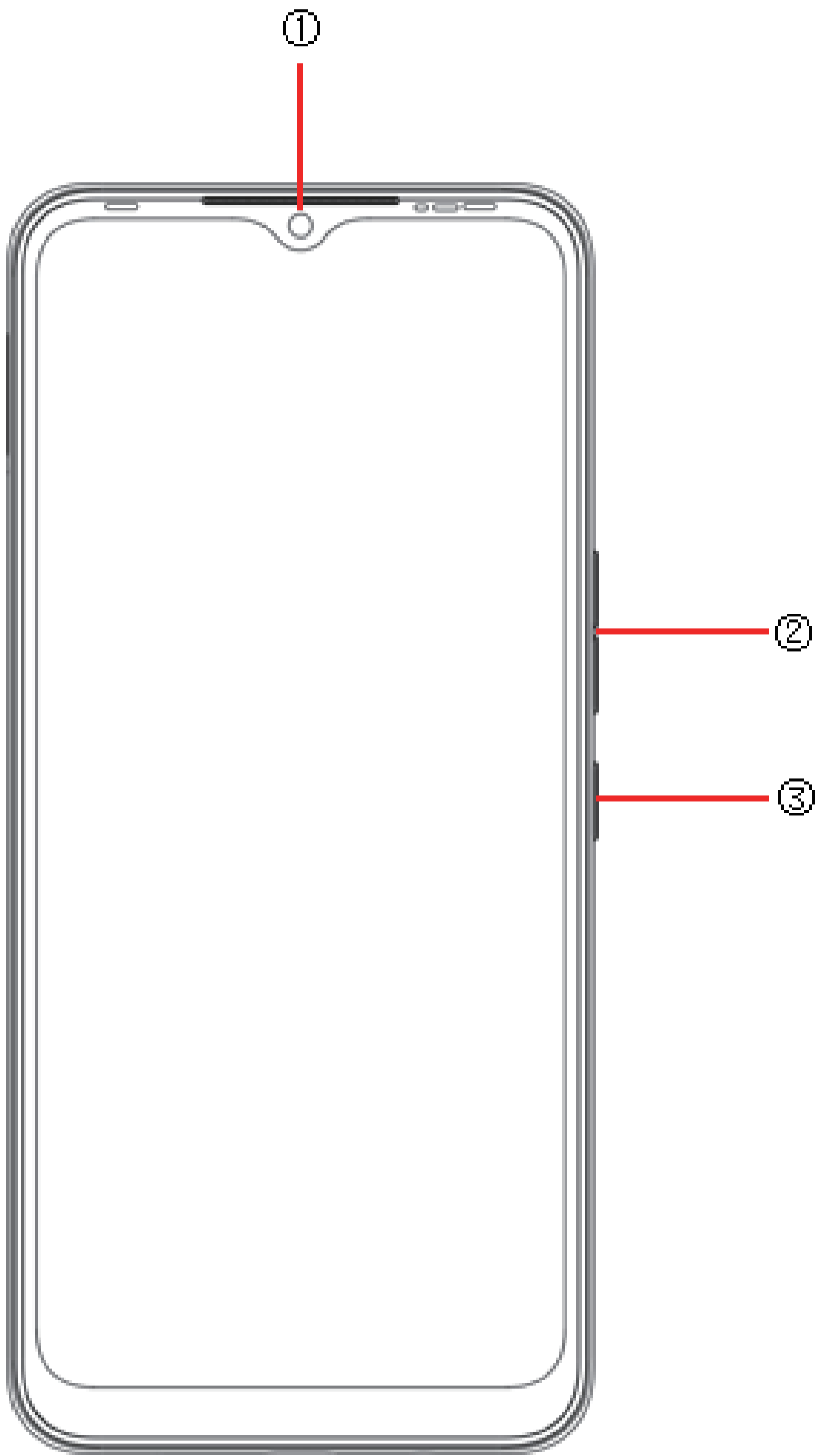
دليل المستخدم

طراز الهاتف: KF6j

بموجب هذه الوثيقة، تعلن شركة TECNO MOBILE LIMITED بأن هذا الهاتف  
يمتثل للمتطلبات الأساسية والأحكام التوجيهية ذات الصلة 2014/53/الاتحاد الأوروبي.

Téléphone portable  
Modèle: KF6j

Par la présente, TECNO MOBILE LIMITED  
déclare que ce téléphone mobile est conforme  
aux exigences essentielles et aux autres  
dispositions pertinentes de la directive  
2014/53/UE.



1. Front camera

1. الكاميرا الأمامية

2. Volume key

2. مفتاح مستوى الصوت

3. Power key

3. مفتاح التشغيل والإيقاف

1.Appareil photo frontal

2.Touche de volume

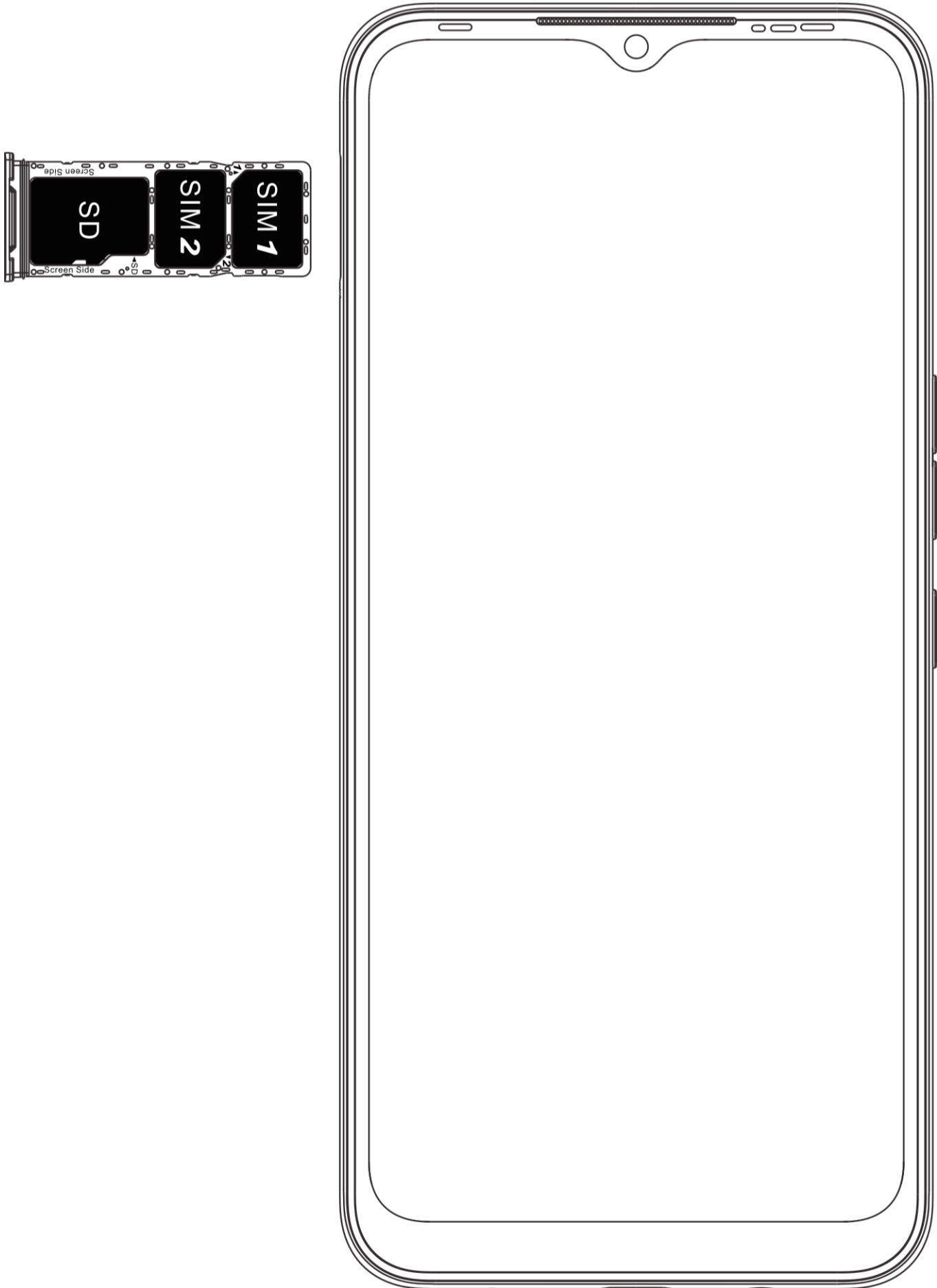
3.Bouton d'alimentation

## Installation de la carte SIM/SD

1. Power off mobile.
2. Refer to the following picture for SIM / SD card installation.

1. قم بإيقاف تشغيل الهاتف
2. أدخل بطاقة SIM وبطاقة الذاكرة كما هو مبين في الصورة.

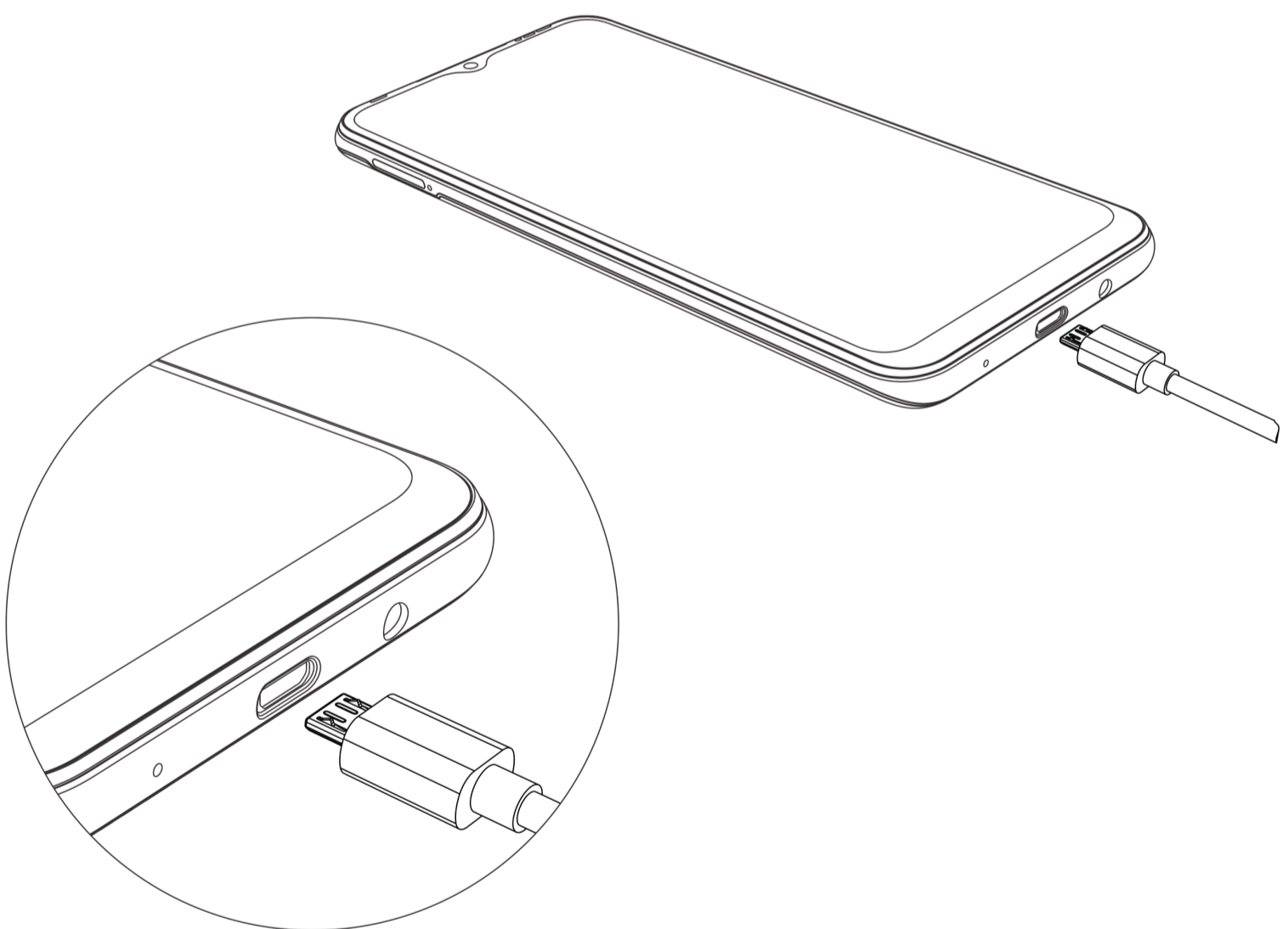
1. Éteignez le mobile.
2. Reportez-vous à l'image suivante pour l'installation de la carte SIM/SD.



# Charging the phone

You can charge your device using a charger or by connecting it to the computer using a USB cable (comes with the phone).

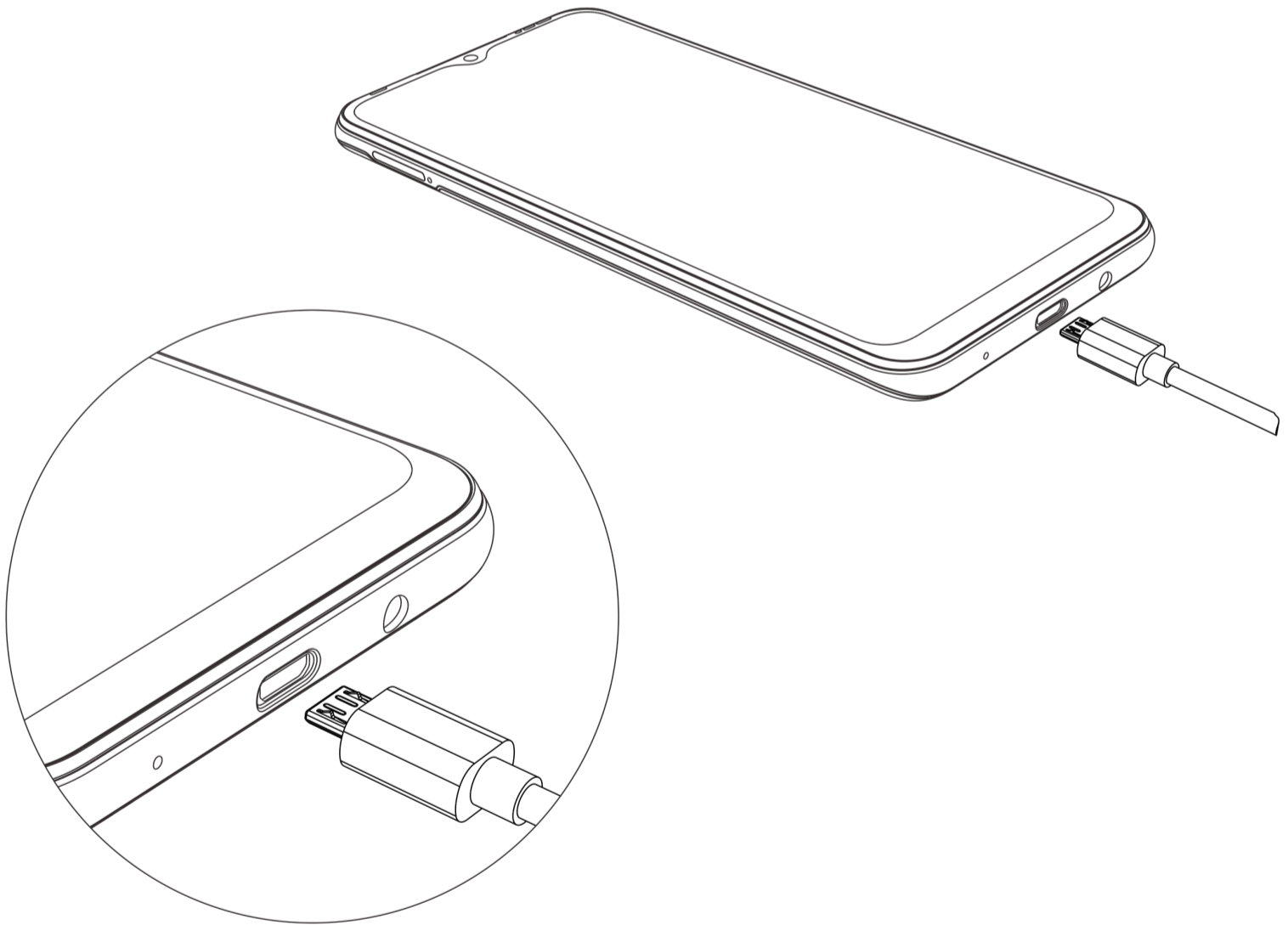
1. Please remind the front and back of the plug.
2. Use only TECNO charger and cables. Other chargers or cables may damage the device. This will invalidate your phone warranty.



# شحن الهاتف

يمكنك شحن جهازك باستخدام شاحن أو عن طريق توصيله بجهاز الكمبيوتر باستخدام كبل USB (يتوفر مع الهاتف).

1. يُرجى التمييز بين وجه القابس وظهره.
2. استخدم فقط كابلات أو شاحن TECNO. قد تتسبب الشواحن أو الكابلات المختلفة في تلف الجهاز. وهذا من شأنه أن يُبطل ضمان هاتفك.

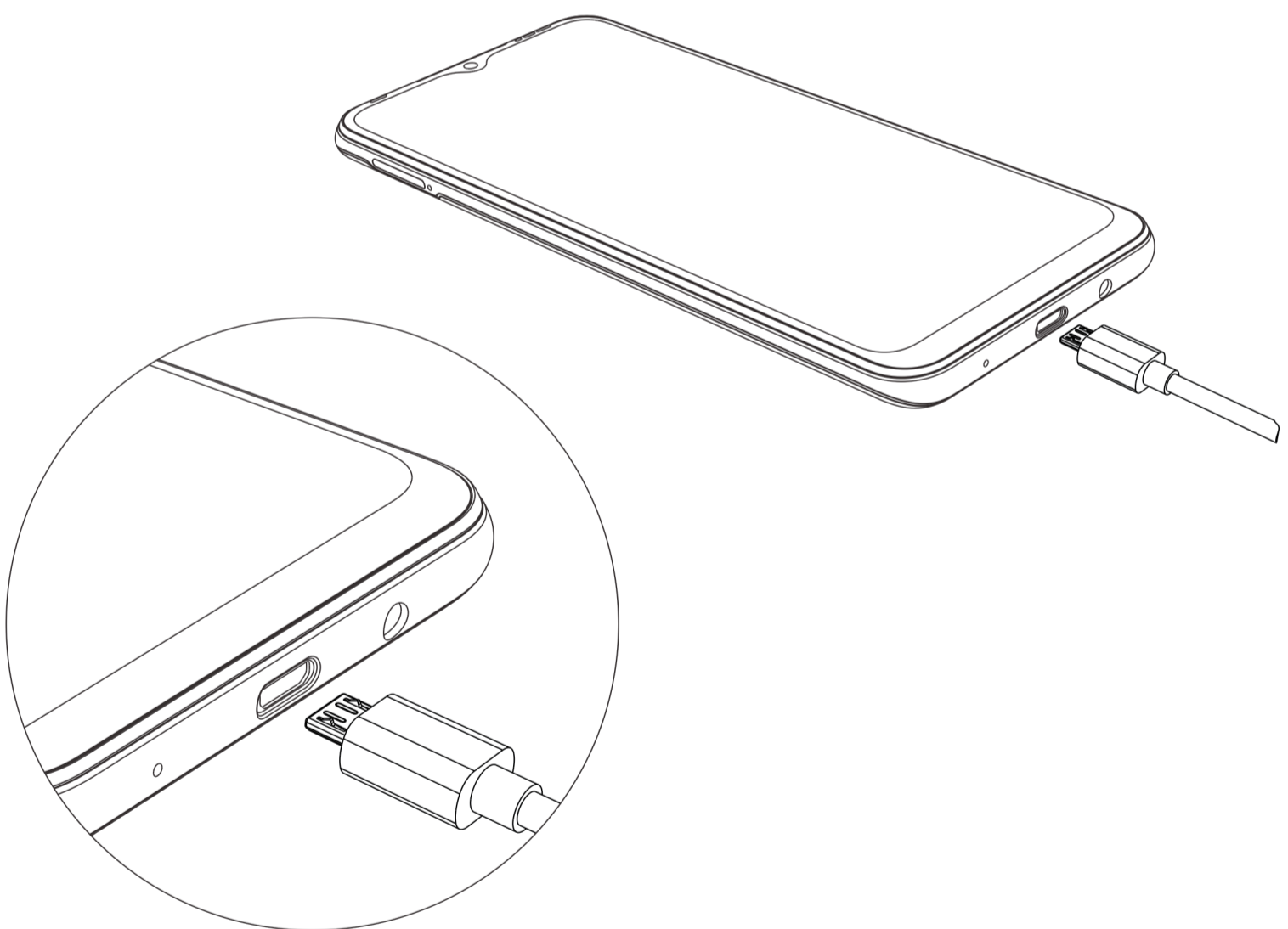


# Charger le téléphone

Vous pouvez charger votre appareil à l'aide d'un chargeur ou en le connectant à l'ordinateur à l'aide d'un câble USB (fourni avec le téléphone).

1. Ne mélangez pas l'avant et l'arrière de la fiche.

2. Utilisez uniquement le chargeur et les câbles TECNO. D'autres chargeurs ou câbles peuvent endommager l'appareil. Cela annulera la garantie de votre téléphone.



This device may be restricted for use, depending on the local network.

Restrictions in the 5GHz band:

According to 10(10) of Directive 2014/53/EU, the packaging shows that this radio equipment will be subject to some restrictions when placed on the market in Belgium(BE),Bulgaria(BG),the Czech Republic(CZ) ,Denmark(DK), Germany(DE),Estonia(EE),Ireland(IE),Greece(EL),Spain(ES),France(FR),Croatia (HR),Italy(IT),Cyprus(CY),Latvia(LV), Lithuania(LT),Luxembourg(LU),Hungary (HU),Malta(MT),Netherlands(NL),Austria (AT),Poland(PL),Portugal(PT),Romania (RO),Slovenia(SK),Finland(FI),Sweden (SE),the United Kingdom in respect of Northern Ireland (UK(NI)) Turkey(TR), Norway(NO),Switzerland(CH),Iceland (IS),and Leichtenstein(LI).The WLAN function for this device is restricted to indoor use due to its operation in the 5.15 to 5.35 GHz frequency range.



## **Operating Frequency Band (RF):**

E-GSM900: 880-915 MHz(TX), 925-960 MHz(RX);

DCS1800: 1710-1785 MHz(TX), 1805-1880 MHz(RX);

WCDMA BAND I:1920-1980 MHz(TX), 2110-2170 MHz(RX);

WCDMA BAND VIII: 880-915 MHz(TX), 925-960 MHz(RX);

LTE BAND 1:1920-1980 MHz (TX),2110-2170 MHz(RX);

LTE BAND 3:1710-1785 MHz (TX),1805-1880 MHz(RX);

LTE BAND 7:2500-2570 MHz (TX),2620-2690 MHz(RX);

LTE BAND 8:880-915 MHz(TX),925-960 MHz(RX);

LTE BAND 20:832-862 MHz(TX),791-821 MHz(RX);

LTE BAND 28:703-733 MHz(TX),758-788 MHz(RX);

LTE BAND 38: 2570-2620 MHz(TX), 2570-2620 MHz(RX);

LTE BAND 40:2300-2400 MHz(TX), 2300-2400 MHz(RX);

BT: 2402-2480 MHz(TX/RX);

Wi-Fi (2.4G): 2412-2472 MHz(TX/RX);

Wi-Fi (5G): Band 1: 5150-5250 MHz (TX/RX);

Band 2: 5250-5350 MHz(TX/RX);

Band 3: 5470-5725 MHz(TX/RX);

Band 4: 5725-5875 MHz(TX/RX);

GPS:1.57542GHz(RX)

FM:87.5-108 MHz(RX)

## Modulation mode :

GMSK, 8PSK (GSM)

BPSK, QPSK ,16-QAM(WCDMA)

QPSK, 16-QAM, 64-QAM (LTE)

GFSK,  $\pi/4$ -DQPSK, 8DPSK (BT)

GFSK (BLE)

DSSS (DBPSK, DQPSK, CCK) for IEEE

802.11b

OFDM(BPSK,QPSK,16QAM,64QAM) for

IEEE 802.11g/n HT-20/HT-40

IEEE 802.11a/n:OFDM (BPSK / QPSK /

16QAM / 64QAM) (WiFi)

BPSK (GPS)

FM (FM)

## RF output power :

GSM900: 33dBm $\pm$ 2dB

DCS1800: 30dBm $\pm$ 2dB

WCDMA BAND I/VIII:

24dBm+1.7dB/-3.7dB

LTE BAND 1/3/7/8/20/28/38/40:

23dBm+2.7dB/-2.7dB

Bluetooth: 0-10dBm

Wi-Fi: 14dBm+/-3dB

## Specific Absorption Rate (SAR)

### Certification

**THIS DEVICE MEETS INTERNATIONAL GUIDELINES FOR EXPOSURE TO RADIO WAVES**

Body parts	Test value	Test distance	Limit
Head	0.941W/Kg 10g	0cm	2.0 W/Kg 10g
Body	1.132W/Kg 10g	0.5cm	2.0 W/Kg 10g

## CAUTION:

1. Use careful with the earphone maybe excessive sound pressure from earphones and headphones can cause hearing loss.
2. Risk of explosion if battery is replaced by an incorrect type, dispose of used batteries according to the instructions.
3. The product shall only be connected to a USB interface of version USB 2.0.
4. Adapter shall be installed near the equipment and shall be easily accessible.
5. EUT Temperature:  $-10\sim+65^{\circ}\text{C}$  (Standalone);  $5\sim+40^{\circ}\text{C}$  (with adapter).
6. Adapter1: U100TKA  
Input: 100-240V~50/60Hz 400mA  
Output: DC 5.0V 2A  
Adapter2: XCU32  
Input: 100-240V~50/60Hz 500mA  
Output: DC 5.0V 2.0A
7. The device complies with RF specifications when the device used at 5 mm from your body, and the holder must not be of metal composition.
8. To prevent possible hearing damage, do not listen at high volume levels for long periods.
9. Earphone and USB cable are shielded.



Figure 1-Warning label (IEC 60417-6044)

**TECNO**

HiOS is based on Android™.  
Android is a trademark of Google LLC.