



Panasonic®

Operating Instructions
Инструкция по эксплуатации
Інструкція з експлуатації
Пайдалану нұсқаулары

(Household) Rechargeable Oral Irrigator
(Бытовые) Ирригатор полости рта с подзарядкой
(Побутового призначення) Ірригатор порожнини рота з можливістю роботи від акумулятора
(Тұрмыстық) Қайта зарядталатын ауыз қуысын тазарту құралы

Model No.
Модель № EW-DJ40
Модель №
Үлгі №

English	2
Русский	11
Українська	21
Қазақша	31

- Before operating this product, please read the instructions carefully, and save this manual for future use.
- Прежде чем использовать этот прибор, внимательно прочитайте данную инструкцию и сохраните их для дальнейшего использования.
- Перш ніж починати користуватись цим приладом, уважно прочитайте дані інструкції та збережіть їх для подальшого використання.
- Осы құралды пайдаланар алдында осы нұсқауларды мұқият оқып шығыңыз және оларды болашақта қолдануға сақтап қойыңыз.

Safety Instructions

English

All information in this section is provided to instruct you in the correct and safe operation of this appliance so that you can avoid injuries to yourself and others as well as damage to property.

- **The harm or damage that is caused by improper use is described in categories.**

Danger

This indicates “content that may very likely cause death or severe injury”.

Warning

This indicates “content that may cause death or severe injury”.

Caution

This indicates “content that may cause injury or damage to property”.

- **Content to be observed is described with the following icons. (The following are examples of icons)**


- ⊘ A circle and slash symbolizes prohibited actions and behaviors.
- A solid circle denotes mandatory actions and instructions to be followed for safe operation.

Danger

Prohibited

- **This appliance has built-in rechargeable batteries. Do not throw into a fire, heat, or charge, use, or leave in a hot location.**
Doing so could result in overheating, fire, or explosion.

Warning

-  **Do not use this appliance with the charging adaptor in the bath or shower room.**

- **Do not place or store the charging adaptor where it can fall or be pulled into a tub, sink or toilet.**

Doing so could result in electric shock or fire.

Prohibited

- **Do not use the appliance when the charging adaptor is damaged or the connection to the power outlet is loose.**

Doing so could result in electric shock, shorting, or fire.

- **Do not damage, destroy, modify, forcefully bend, pull, or twist the power cord. Also, do not place heavy objects on or clamp the power cord.**

Doing so could result in electric shock or fire.

Avoid water contact!

- **Do not immerse the charging adaptor in water, or wash with water.**

Doing so could result in electric shock or shorting.

Do not touch with wet hands

- **Do not insert or pull the charging adaptor from the power outlet with wet hands.**

Doing so could result in electric shock.

Mandatory!

- **Keep out of the reach of toddlers and infants.**

Failure to do so could result in accidents or trouble, such as an accidental ingestion of the accessories or the parts that can be taken apart.

- **Remove the charging adaptor from the power outlet when performing maintenance.**


Failure to do so could result in electric shock.

- **Clean the appliance plug and the charging adaptor periodically in order to prevent dust build up.**

Failure to do so could result in a fire, due to insulation failure caused by humidity on the built-up dust.

- **Always ensure the appliance is operated on an electric power source matched to its rated voltage.**


Failure to do so could result in electric shock or fire.

 **Do not dismantle!**

- **Never alter the appliance. Also, do not disassemble or repair it.**

Doing so could result in fire, electric shock, or injury. Contact the store where you purchased the appliance or Panasonic customer center for repair (such as battery change).

 **Caution**

 **Prohibited**

- **Toddlers, infants, people who are unable to operate and people with weak oral senses should not use this appliance.**

Failure to do so could result in injury.

- **Do not use for any purpose other than oral cleaning.**

Doing so could result in injury when the stream of water is pointed toward the eyes, nose, ears, or throat. Consult the dentist if you are receiving oral treatments or have severe periodontal disease.

- **Do not fill the tank with water warmer than 40 °C.**

Doing so could result in burns.

 **Mandatory!**

- **Always hold the power plug instead of the power cord when removing the charging adaptor.**

Failure to do so could result in electric shock or shorting, resulting in fire.

- **Keep the appliance sanitized and use fresh tap water or warm water when cleaning the mouth.**

- **Make sure to throw out the water inside the tank, and run the appliance for 2 to 3 seconds to drain the water after usage.**

Failure to do so could result in damage to your health if used without keeping it sanitized due to propagation of mold and bacteria. It may also result in odor and malfunction.

- **Remove the charging adaptor from the power outlet when it is not to be used.**

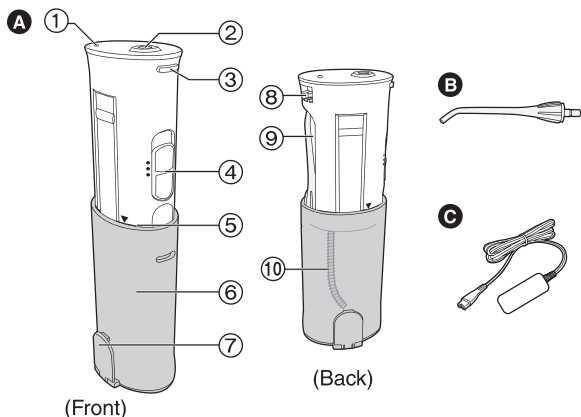
Failure to do so could result in electric shock or electrical fire due to insulation degradation.

Caution

- This appliance is not intended for use by persons (including children) with reduced physical, sensory or mental capabilities, or lack of experience and knowledge, unless they have been given supervision or instruction concerning use of the appliance by a person responsible for their safety. Children should be supervised to ensure that they do not play with the appliance.
- The supply cord cannot be replaced. If the cord is damaged, the appliance should be scrapped.

Parts identification

English



- A** Main unit
- ① Charging indicator lamp
 - ② Nozzle socket
 - ③ Nozzle release button
 - ④ Switch
 - ⑤ Usage line (▼ mark)
 - ⑥ Tank
 - ⑦ Water supply cap
- ⑧ Appliance socket
- ⑨ Nozzle storage compartment
- ⑩ Water suction tube
- B** Nozzle (x1)
- C** Charging adaptor (RE7-46)

► Note

There may be some liquid remaining inside the main appliance (tank, water suction tube, etc.), but this is remaining distilled water that was used for the performance (water flow) test, so there are no health concerns.

► Before using the appliance

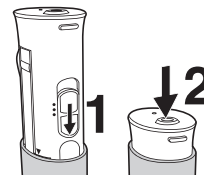
Initially bleeding may occur even with healthy gums. This is caused because the gums are not used to such stimulation. The bleeding will normally stop within 1 or 2 weeks of use. There may be a problem with the gums (periodontal disease, etc.) if the bleeding continues for over 2 weeks. In such cases, stop using the appliance and consult the dentist.

Charging the appliance

- Charge the appliance at 15 to 35 °C room temperature.
- Usage time may be shorter when charging in lower temperatures (under 15 °C). Also, it may not charge in very low temperatures (under 0 °C).

1 Turn the switch to OFF.

2 Store the main unit.



3 Insert the appliance plug securely into the appliance socket.

- Insert the appliance plug after wiping any water that may be on the socket.

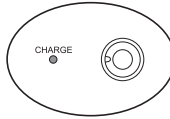


4 Insert the charging adaptor securely into the power outlet.

5 Check that the charging indicator lamp glows.

Charging is completed in approx. 8 hours.

- It can be used for 15 minutes with 1 full charge.



- Leaving the main unit continuously on the charging adaptor connected to the power outlet does not affect performance. (In general, repeatedly charging and discharging the battery without fully using up the charging capacity will cause a memory effect, which decreases the usage and lowers the discharge voltage. However this appliance has been devised in such a way that it will not affect the usage.)
- If operation stops at the start of usage (immediately after purchase or after not using for 3 months or more) or while using the appliance, be sure to charge it for 16 hours or more. If the charging indicator does not glow initially when the main unit is plugged in, wait for a short while until it does.
- The main unit will become slightly warm while charging, but this is not a malfunction.
- Charge the appliance only with the dedicated charging adaptor. Use the charging adaptor only for charging the dedicated appliance.
- If the usage time gets short even if charged properly, it could be that the battery is worn out. (Expected life of the battery is 3 years, but it can change greatly depending on how it is used and stored)

Using the appliance

- Use with tap water or lukewarm water.
- Do not turn the switch to ON before placing the nozzle in your mouth.

- 1 Open the water supply cap.**
- 2 Pull out the white part of main unit up to the usage line (▼ mark).**

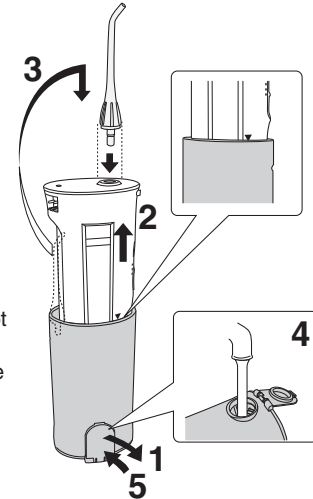
- It may be hard to pull out the main unit with the water supply cap closed.
- Water pressure will not rise unless the main unit is pulled out to the usage line.
- Be careful since the nozzle might pop out from the storage compartment at this time.

- 3 Insert the nozzle into the nozzle socket holding onto the white part of the main unit.**

- Insert it securely until it clicks.

- 4 Pour in water.**

- Always use fresh tap water.
- If the water feels cold, use lukewarm water of up to 40 °C.



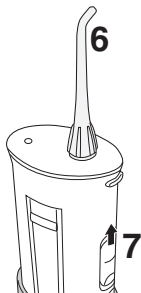
- Do not pour in salt, toothpaste, or chemicals.
- To continuously use, make sure the switch is set to OFF.

5 Close the water supply cap.

- Securely close after pouring in water.

6 Place the nozzle in your mouth.

- The water suction tube inside the tank may come out from the water and the flow of the water may stop when the appliance is tilted too much.



7 Turn the switch to ON.

- It can be used for approximately 40 seconds with a full tank.

Mode (strength) can be selected.

2 (Normal)

- For normal cleaning

1 (Soft)

- When you are worried about your gums
- When you feel 2 (Normal) is too strong

- Do not press the tip of the nozzle hard against the teeth or gums.
- Be extra cautious with those who cannot operate the appliance by themselves, such as infants or toddlers, or people with high oral sensitivity.
- Do not drop or handle it roughly.
- Do not operate when the tank is empty except to drain the water from the appliance.
Doing so could result in malfunction.

6

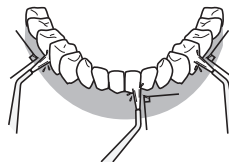
► Tips

- Hold the appliance vertically with the nozzle upward.
- Move your face above the sink.
- Close your mouth slightly so the water will not splatter.
- Place the nozzle in your mouth.

Cleaning your mouth well

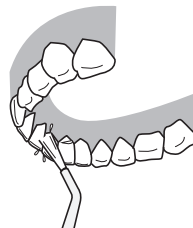
- Aim the stream as perpendicular as possible between the teeth or the edge between the teeth and gums.
- Move slowly along the teeth.
- Take extra care between the teeth and around braces.

Front side of the teeth...



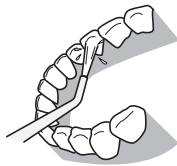
- Apply the stream perpendicular to the teeth.
- Take extra care between the teeth and the edge between the teeth and gums.

Back side of the teeth...



For the upper teeth

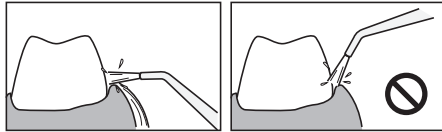
- Adjust the angle of the nozzle to face upward, and apply the stream perpendicular to the teeth.



For the lower teeth

- Pull your chin down, and apply the stream perpendicular to the teeth.

- Do not apply the stream directly into the periodontal pockets.



After using the appliance

- There is a risk of bacteria propagating, so wash thoroughly and dry before storing.

- 1** Open the water supply cap and dispose of the water in the tank.



- 2** Turn the switch to ON, and drain the water inside the appliance.

- Run the appliance for 2 to 3 seconds until no water comes out.

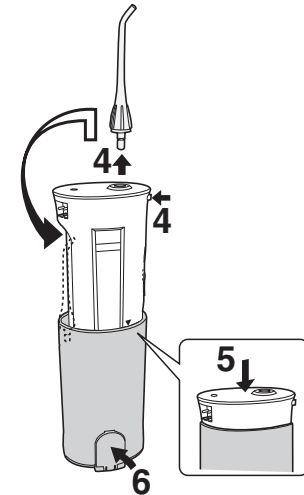


- 3** Turn the switch to OFF.

- 4** Press the nozzle release button, remove the nozzle and place it in the storage compartment.

- 5** Store the main unit.
 - Press it in until it clicks.
 - Watch out not to clamp your fingers in the upper part of the tank.

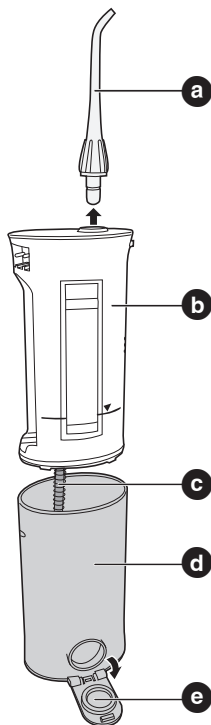
- 6** Close the water supply cap.



- To store in a bag or similar after using the appliance, wrap it in a towel or similar to absorb any excess water.
- To prevent bacteria propagating, take it out from a bag or similar as soon as possible to dry.

Maintenance

English



a Nozzle

(Remove it while pressing the nozzle release button.)

Wash with water and wipe with a cloth.

- Please replace the nozzle about once every 6 months. If the tip of nozzle gets deformed, please replace with a new nozzle. Failure to do so could result in malfunction.

b Main unit

Remove the dirt by wiping using a cloth with liquid soap, and wipe off using a dry cloth.

Wash with water if it is very dirty.

- Do not wipe the appliance with thinners, benzine, alcohol etc.
- Doing so could result in malfunction, cracking or discoloration of the parts.
- Do not wash using hot water of over 50 °C.
- Do not leave the appliance submerged in water.
- Dry after washing with water.

c Water suction tube

Dry after washing with water.

- Do not bend the water suction tube. Failure to do so could result in malfunction such as disruption in the operation of the water suction tube.

d Tank

It will come off when the body is pulled hard while the water supply cap is removed, so perform maintenance of interior as well.

Wash with water and wipe with a cloth.

- Wash the dirt off from inside using a brush or similar, and wipe off with a cloth.
- Dry the tank when not using for a long period.

e Water supply cap

Wipe off any grime and dirt.

- Failure to do so could result in water leakage.

Charging adaptor

Wipe the metal part of the power plug with a dry cloth once every 6 months.

- Only use mild detergent.
- Never use thinners, benzine, or alcohol since it may cause malfunction or cracking / discoloration of the parts.

If you think it is malfunctioning

Check the following.

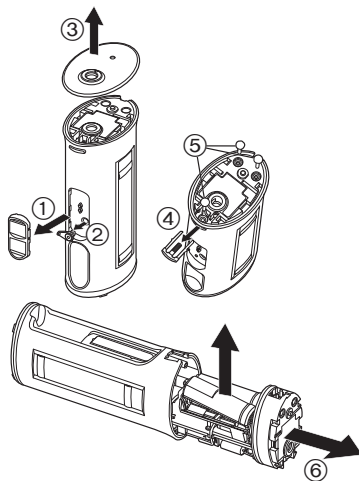
Symptom	Probable Cause	Action
It only works for a few minutes even after charging	▶ Battery is worn out (approximately 3 years)	▶ Contact the store or Panasonic Customer Center. (You cannot change the battery yourself because it may cause degradation of water proof performance or malfunction)
	▶ Charging time is too short	▶ Charge the appliance continuously for 16 hours or more to activate the battery
It does not operate	▶ It is immediately after purchase or has been left unused for 3 months	▶ Charge continuously for 16 hours or more to activate the battery.
Water pressure is low	▶ There is dirt stuck in the nozzle	▶ Replace the nozzle
	▶ Mouth of the nozzle is squashed	
Water does not come out	▶ The appliance is tilted too much while in use	▶ Use with the appliance in a vertical state
	▶ The main unit is not fully extended.	▶ Pull out the main unit all the way

If the problem remains even after the appliance is checked and action is taken, terminate usage to prevent any accidents, and request checkup and repair at a store.

Removing the built-in rechargeable batteries

English

Remove the built-in rechargeable batteries before disposing of the appliance. Please make sure that the batteries are disposed of at an officially designated location if there is one. Do not dismantle or replace the batteries so that you can use the appliance again. This could cause a fire or an electric shock. Replace them at an authorized service center. Perform steps ① to ⑥ and lift the batteries, and then remove them.



For environmental protection and recycling of materials

This appliance contains Nickel-Metal Hydride batteries. Please make sure that the batteries are disposed of at an officially assigned location, if there is one in your country.

10

Specifications

Charging time: approx. 8 hours

Rated voltage: 100 - 240 V AC 50 - 60 Hz

Weight:

Main unit: approx. 265 g

Charging adaptor: approx. 145 g

This product is intended for household use only.

Accessories (Sold separately)

Contact the stores close to you.

Check the “appliance product number (EW-DJ40)” and the “replacement nozzle product number” when purchasing.

Replacement nozzle (2 included)

EW0955

With identification ring

Инструкция по технике безопасности

Вся информация, содержащаяся в настоящем разделе, приводится в качестве инструкций по правильной и безопасной эксплуатации данного прибора во избежание нанесения травм себе и другим лицам, а также повреждения имущества.

- **Вред и возможные повреждения, вызванные неправильным использованием прибора, описываются следующими категориями.**

Опасность

Указывает на "правила, несоблюдение которых вероятнее всего приведет к смертельному исходу или к тяжелой травме".


Предостережение


Указывает на "правила, несоблюдение которых может привести к смертельному исходу или к тяжелой травме".

Осторожно

Указывает на "правила, несоблюдение которых может привести к травме или повреждению имущества".

- **Правила, которые необходимо строго соблюдать, отмечены следующими предупредительными знаками. (Далее приводятся примеры предупредительных знаков)**

 Перечёркнутый кружок указывает на запрещённые действия и способы обращения с прибором.

 Закрашенный чёрным кружок указывает на обязательные действия и инструкции, которые необходимо строго соблюдать для обеспечения безопасной работы.

Опасность


Запрещено

- **Данный прибор оснащён встроенным аккумулятором.**

Не бросайте в огонь, не нагревайте, а также не заряжайте, не используйте и не храните прибор в местах, подверженных высокотемпературному воздействию.

Это может привести к перегреванию, возгоранию или взрыву прибора.

Предостережение

 **Не используйте данный прибор, подключённый к зарядному устройству, в ванной комнате или в душе.**

- **Не храните зарядное устройство вблизи ванны, раковины, унитаза и других источников воды или там, где зарядное устройство может упасть.**

Это может привести к поражению электрическим током или возгоранию.

Запрещено

- **Не используйте прибор, если повреждено зарядное устройство, либо если шнур питания неплотно подключён к розетке электросети.**

Это может привести к поражению электрическим током, короткому замыканию или возгоранию.

- **Не ломайте, не уничтожайте, не видоизменяйте, не сгибайте, не тяните и не перекручивайте шнур питания с чрезмерной силой. Кроме того, не кладите на шнур питания тяжелые предметы, и не зажимайте шнур питания между ними.**

Это может привести к поражению электрическим током или возгоранию.

Избегайте попадания воды!

- **Не погружайте зарядное устройство в воду, и не мойте его водой.**

Это может привести к поражению электрическим током или короткому замыканию.

- **Не прикасайтесь к прибору мокрыми руками.**

- **Не подключайте и не отключайте зарядное устройство от розетки электросети мокрыми руками.**

Это может привести к поражению электрическим током.

⚠ Обязательно к исполнению!

- **Держите в месте, недоступном для детей.**
Несоблюдение этого правила может привести к возникновению несчастных случаев и опасных ситуаций, связанных, например, со случайным проглатыванием ребенком аксессуаров или съёмных частей прибора.
- **При проведении технического обслуживания отключайте зарядное устройство от розетки электросети.**
Несоблюдение этого правила может привести к поражению электрическим током.
- **Регулярно очищайте штепсельную вилку и другие части зарядного устройства от пыли.**
Несоблюдение этого правила может привести к возгоранию зарядного устройства из-за нарушения тепло- и гидроизоляции вследствие скопления влаги в ворсинках пыли.
- **Всегда проверяйте, чтобы прибор работал от источника питания с соответствующим номинальным напряжением.**
Несоблюдение этого правила может привести к поражению электрическим током или возгоранию.
- **⚠ Не разбирать!**
- **Запрещается видоизменять прибор. Не разбирайте и не ремонтируйте прибор самостоятельно.**
Это может привести к возгоранию, поражению электрическим током или травме. Для выполнения ремонта (например, замены аккумулятора) обращайтесь по месту приобретения прибора или в сервисный центр Panasonic.

⚠ Осторожно

⊘ Запрещено

- **Дети и лица, неспособные самостоятельно пользоваться прибором, а также лица с ослабленной чувствительностью ротовой полости не должны допускаться к использованию данного прибора.**

12

Несоблюдение этого правила может привести к травме.

- **Используйте прибор только по прямому назначению, то есть для очистки ротовой полости.**

Напор воды, направленный в глаза, нос, уши или горло, может нанести серьезную травму. В случае проведения лечения заболеваний ротовой полости, а также при тяжёлых формах пародонтита обязательно обратитесь к стоматологу перед применением прибора.

- **Не наливайте в резервуар воду, температура которой превышает 40 °С.**

Это может привести к ожогам слизистой.

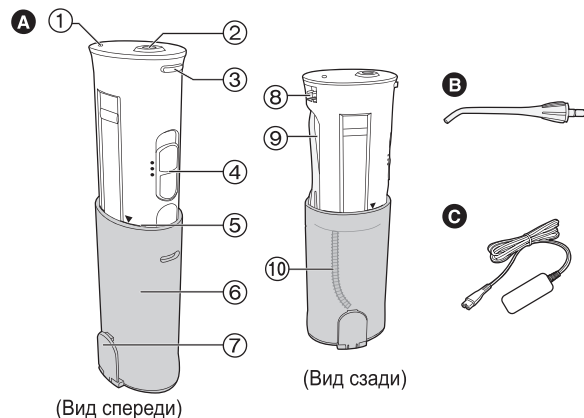
⚠ Обязательно к исполнению!

- **Всегда беритесь за штепсельную вилку, а не за шнур питания, при отключении зарядного устройства от розетки электросети.**
Несоблюдение этого правила может привести к поражению электрическим током, короткому замыканию или возгоранию.
- **Содержите прибор в чистоте, соблюдайте правила личной гигиены, используйте для очистки рта только свежую или слегка подогретую водопроводную воду.**
- **После использования прибора обязательно выливайте остатки воды из резервуара, затем нужно включать прибор на 2-3 секунды до полного удаления воды из резервуара.**
В случае несоблюдения санитарно-гигиенических норм использования в приборе могут появиться плесень и бактерии, что может причинить вред здоровью, а также привести к возникновению неприятного запаха из прибора и неполадок в работе.
- **Если прибор не используется продолжительное время, отключайте зарядное устройство от розетки электросети.**
Несоблюдение этого правила может привести к поражению электрическим током или возгоранию вследствие повреждения изоляции.

Осторожно

- Этот прибор не предназначен для использования людьми (включая детей) с ограниченными физическими, сенсорными или умственными способностями или лицами без соответствующих знаний и опыта. Использование прибора такими людьми допускается только под наблюдением ответственных за их безопасность лиц или при чётких инструкциях этих лиц. Использование прибора детьми допускается только под присмотром ответственных за их безопасность лиц, и ни в коем случае не допускается, чтобы дети играли с прибором.
- Шнур питания замене не подлежит. В случае его повреждения прибор необходимо утилизировать.

Основные части



- A** Основной блок
- ① Индикатор зарядки
 - ② Разъём для установки насадки
 - ③ Кнопка освобождения насадки
 - ④ Переключатель
 - ⑤ Рабочее положение (маркировка ▼)
 - ⑥ Резервуар
 - ⑦ Пробка водоналивной горловины
- B** Насадка (x1)
- C** Зарядное устройство (RE7-46)
- ⑧ Гнездо питания
 - ⑨ Камера для хранения насадки
 - ⑩ Всасывающая трубка

► Примечание

Во внутренних частях основного блока (резервуар, всасывающая трубка) могут содержаться остатки жидкости, но вы должны знать, что это абсолютно безопасная для здоровья

дистиллированная вода, которая применялась для испытания прибора (при проверке тока воды).

► Перед использованием прибора

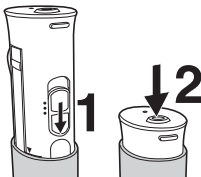
При использовании прибора впервые даже здоровые дёсны могут слегка кровоточить. Это происходит из-за того, что дёсны не привыкли к подобной стимуляции. Обычно дёсны перестают кровоточить через 1-2 недели регулярного применения. Но если дёсны продолжают кровоточить после 2 недель применения, это может свидетельствовать о наличии болезни дёсен (пародонтит и т.п.). В таком случае следует прекратить использование прибора и обратиться к стоматологу.

Русский

Зарядка прибора

- Заряжайте прибор при комнатной температуре в пределах 15 - 35 °С.
- При зарядке при более низкой температуре (ниже 15 °С) время работы прибора может уменьшиться. Кроме того, при очень низкой температуре (ниже 0 °С) зарядка может быть невозможна.

1 Переведите переключатель в положение **ВЫКЛ.**



2 Приготовьте основной блок к хранению.

3 Полностью вставьте штекер питания в гнездо питания.

- Вставляйте штекер питания после того, как вытрите всю воду, которая могла остаться на гнезде.

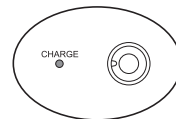


4 Плотнo вставьте вилку зарядного устройства в розетку электросети.

5 Убедитесь, что индикатор зарядки горит.

Зарядка занимает приблизительно 8 часов.

- Прибор работает в течение 15 минут при полном заряде аккумулятора.



- Если оставить основной блок с подключённым к розетке электросети зарядным устройством, это никак не скажется на работе прибора.
(В целом, если постоянно заряжать и разряжать аккумулятор, не используя текущий заряд полностью, это вызывает эффект забывания, что приводит к сокращению времени работы и снижению разрядного напряжения. Тем не менее, данный прибор спроектирован таким образом, что этот факт не влияет на эффективность его применения).
- Если прибор прекращает функционировать в начале использования (сразу после покупки, либо через 3 месяца использования или позже) либо в процессе использования, обязательно заряжайте прибор в течение 16 часов или дольше. Если при подключении основного блока индикатор зарядки не загорается сразу, немного подождите.
- Во время зарядки основной блок слегка нагревается, но это не является неисправностью.
- Заряжайте прибор только при помощи соответствующего зарядного устройства. Используйте только зарядное устройство, входящее в комплект данного прибора.

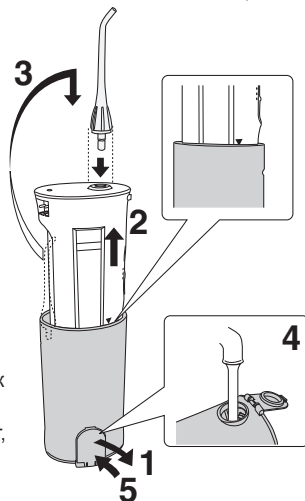
- Если время работы сокращается, даже не смотря на правильную зарядку, возможно заканчивается срок годности аккумулятора. (Срок годности аккумулятора составляет приблизительно 3 года, но этот срок сильно зависит от условий использования и хранения).

Использование прибора

- Прибор следует использовать со свежей или слегка подогретой водопроводной водой.
- Не переводите переключатель в положение ВКЛ., не направив насадку в ротовую полость.

- 1** Откройте пробку водоналивной горловины.
- 2** Вытяните белую часть основного блока до отметки рабочего положения (маркировка ▼).

- Если пробка водоналивной горловины остаётся закрытой, основной блок вытягивается с трудом.
- Напор воды не возрастает, если основной блок не вытянут до отметки рабочего положения.
- Будьте внимательны, так как в это время из камеры для хранения насадки может выскочить насадка.



- 3** Вставьте насадку в разъём для установки насадки, придерживая основной блок за его белую часть.

- Надёжно закрепите до характерного щелчка.

- 4** Налейте воду.

- Всегда используйте только свежую водопроводную воду.
- Если вода кажется слишком холодной, слегка подогрейте её максимум до 40 °С.
- Не заливайте солевые растворы, зубную пасту или химические вещества.
- Для обеспечения бесперебойной работы следите, чтобы в это время переключатель находился в положении ВЫКЛ.

- 5** Закройте пробку водоналивной горловины.

- Плотно закройте пробку после наполнения.

- 6** Направьте насадку в ротовую полость.

- Если прибор слишком сильно наклонить во время использования, то всасывающая трубка может выходить из воды в резервуаре, в результате чего подача воды прекратится.

- 7** Переведите переключатель в положение ВКЛ.

- Полностью заполненный резервуар расходуется за 40 секунд работы.

Можно выбирать режим работы (силу напора).

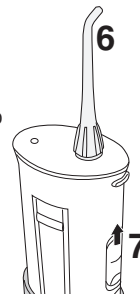
- 2 (Нормальный)**

- Для обычной очистки

- 1 (Мягкий)**

- Если вы беспокоитесь о своих деснах

- Если вам кажется, что режим 2 (Нормальный) слишком интенсивный



- Не прижимайте наконечник насадки вплотную к зубам или дёснам.
 - Соблюдайте повышенную осторожность, применяя прибор на людях, которые не могут самостоятельно использовать прибор, например, на малышах и детях, а также на людях с повышенной чувствительностью зубов и дёсен.
 - Не бросайте прибор и обращайтесь с ним осторожно.
 - Не включайте прибор с пустым резервуаром, за исключением случаев, когда необходимо полностью осушить прибор после использования.
- Это может привести к возникновению неполадок в работе.

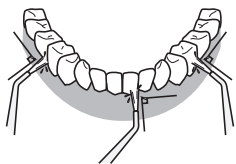
► Полезные советы

- Держите прибор вертикально, направив насадку вверх.
- Склонитесь над раковиной.
- Немного прикройте рот, чтобы вода не разбрызгивалась.
- Направьте насадку в рот.

Тщательная очистка ротовой полости

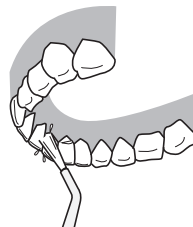
- Направьте струю строго перпендикулярно в межзубное пространство или в зубодесневые складки.
- Медленно перемещайте вдоль зубного ряда.
- Особое внимание необходимо уделять обработке межзубного пространства и области вокруг брекетов.

Внешняя сторона зубного ряда...



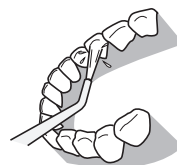
- Направляйте струю перпендикулярно к зубам.
- Особое внимание необходимо уделять обработке межзубного пространства и зубодесневых складок.

Внутренняя сторона зубного ряда...



Верхние зубы

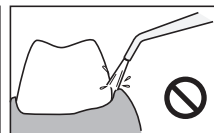
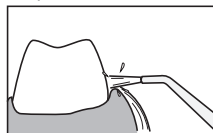
- Отрегулируйте угол насадки так, чтобы она была направлена вертикально вверх, и направьте струю перпендикулярно к зубам.



Нижние зубы

- Опустите подбородок и направьте струю перпендикулярно к зубам.

- Не направляйте струю непосредственно в зубодесневые карманы.



После использования прибора

- Прежде чем складывать прибор для хранения, тщательно промойте и высушите его, так как существует опасность развития бактерий.

1 Откройте пробку водоналивной горловины и слейте остатки воды из резервуара.



2 Переведите переключатель в положение ВКЛ. и полностью осушите внутренние части прибора.

- Оставьте прибор включенным на 2-3 секунды, до тех пор, пока вода не прекратит вытекать.

3 Переведите переключатель в положение ВЫКЛ.

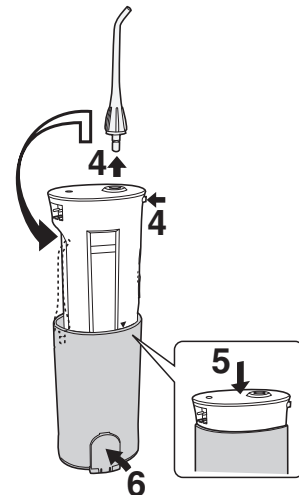


4 Нажмите кнопку освобождения насадки, снимите насадку и установите её в камеру для хранения насадки.

5 Приготовьте основной блок к хранению.

- Надавите на него до характерного щелчка.
- Следите, чтобы не защемить пальцы верхней частью резервуара.

6 Закройте пробку водоналивной горловины.

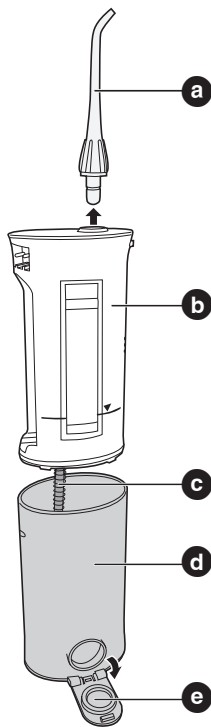


- Для хранения прибора после использования в пакете или другом герметичном контейнере, оберните прибор в полотенце или любой другой кусок ткани, чтобы остатки воды впитались в ткань.
- Для предотвращения развития бактерий достаньте прибор из пакета или герметичного контейнера как можно быстрее, чтобы просушить его.

Русский

Обслуживание

Русский



a Насадка

(Насадка снимается при нажатии на кнопку освобождения насадки.)

Промойте в воде и вытрите тканью.

- Насадку необходимо заменять не реже одного раза в 6 месяцев. Если наконечник насадки деформируется, обязательно замените насадку. Несоблюдение этого правила может привести к возникновению неполадок в работе.

b Основной блок

Удалите загрязнения, протерев корпус тканью, смоченной в жидком моющем средстве, затем вытрите сухой тканью.

В случае сильного загрязнения промойте в воде.

- Не применяйте для чистки прибора растворители, такие как бензин, спирт и прочие.
- Это может привести к возникновению неполадок в работе, растрескиванию или обесцвечиванию частей прибора.
- Не мойте прибор в воде, температура которой превышает 50 °С.
- Не оставляйте прибор в воде.
- Хорошо просушите после мытья водой.

c Всасывающая трубка

Хорошо просушите после мытья водой.

- Не сгибайте всасывающую трубку. Несоблюдение этого правила может привести к возникновению неполадок в работе, таких как, например, нарушение работы всасывающей трубки.

d Резервуар

Резервуар можно снять, если полностью вытянуть корпус, предварительно открыв пробку водоналивной горловины, что позволяет выполнить очистку внутренней поверхности.

Промойте в воде и вытрите тканью.

- Удалите загрязнения с внутренней поверхности с помощью щётки или подобного инструмента и протрите тканью.
- Обязательно высушите резервуар, если прибор не будет использоваться длительное время.

e Пробка водоналивной горловины

Удалите все отложения и загрязнения.

- Несоблюдение этого правила может привести к вытеканию воды.

Зарядное устройство

Протирайте сухой тканью металлические части вилки зарядного устройства каждые 6 месяцев.

- Используйте только мягкие моющие средства.

- Никогда не применяйте для чистки прибора растворители, такие как бензин, спирт и прочие, так как они могут привести к возникновению неполадок в работе, растрескиванию / обесцвечиванию частей.

Если прибор неправильно работает

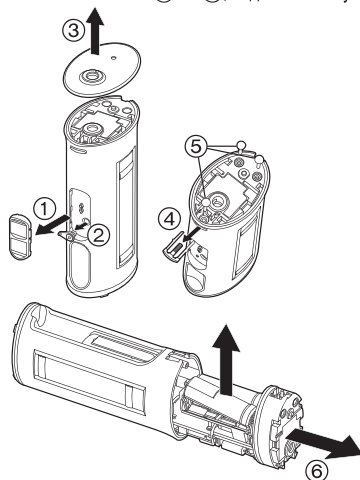
Проверьте следующее.

Симптом	Возможная причина	Решение
После зарядки работает всего несколько минут	▶ Срок годности аккумулятора истёк (приблизительно через 3 года)	▶ Обратитесь в магазин или сервисный центр Panasonic. (Запрещено менять аккумулятор самостоятельно, потому что это может привести к нарушению водонепроницаемости прибора или к неисправности).
	▶ Время зарядки слишком короткое	▶ Для активации аккумулятора непрерывно заряжайте прибор в течение 16 часов или дольше.
Не работает	▶ Сразу после покупки или через 3 месяца после последнего использования	▶ Для активации аккумулятора непрерывно заряжайте прибор в течение 16 часов или дольше.
	▶ В насадке образовалась грязевая пробка	▶ Замените насадку
Низкий напор воды	▶ Горлышко насадки деформировалось	
Вода не поступает	▶ Во время использования прибор слишком сильно наклонили	▶ При использовании держите прибор в вертикальном положении
	▶ Основной блок не вытянут на всю длину.	▶ Полностью вытяните основной блок

Если проблема осталась даже после проверки и принятия мер по её устранению, прекратите использование прибора во избежание опасных ситуаций и отнесите прибор в магазин для проверки и ремонта.

Извлечение встроенного аккумулятора

Прежде чем выкидывать прибор, извлеките из него встроенный аккумулятор. Пожалуйста, проследите за тем, чтобы утилизация аккумулятора была выполнена в официальном пункте приёма, при наличии такового в вашем городе. Не разбирайте и не заменяйте аккумулятор самостоятельно для дальнейшего использования прибора. Это может привести к возгоранию или поражению электрическим током. Заменяйте аккумулятор в уполномоченном сервисном центре. Выполните шаги с ① по ⑥, поднимите аккумулятор, а затем извлеките его.



Охрана окружающей среды и вторичная переработка отходов
Данный прибор оснащён Никель-Металлгидридным аккумулятором. Пожалуйста, проследите за тем, чтобы утилизация аккумулятора была выполнена в официальном пункте приёма, при наличии такового в вашей стране.

20

Технические характеристики

Время зарядки аккумулятора: прибл. 8 часов
Номинальное напряжение: 100 - 240 В переменного тока 50 - 60 Гц
Вес:

Основной блок: прибл. 265 г

Зарядное устройство: прибл. 145 г

Данное устройство предназначено только для домашнего использования.

Аксессуары (продаются отдельно)

Обратитесь в ближайший магазин.

При покупке проверьте “артикул прибора (EW-DJ40)” и “артикул сменной насадки”.

Сменная насадка (по 2 в комплекте)

EW0955

С идентификационным кольцом

Установленный производителем в порядке п. 2 ст. 5 Федерального Закона РФ “О защите прав потребителей” срок службы для данного изделия равен 7 годам с даты производства при условии, что изделие используется в строгом соответствии с настоящей инструкцией по эксплуатации и применимыми техническими стандартами.

EAC

Сделано в Китае

Этот прибор предназначен только для домашнего использования.

Панасоник Корпорэйшн

1006, Кадома, Осака 571-8501, Япония

Інструкція з техніки безпеки

Вся інформація, яка міститься в цьому розділі, наводиться з метою надання інструкцій про правильну та безпечну експлуатацію приладу та попередження травмування себе чи інших осіб, а також пошкодження майна.

■ **Шкода та збитки, які можуть бути спричинені неналежним використанням, класифікуються по категоріям.**

⚠ Небезпека

Вказує на "правила, недотримання яких вірогідніше за все призведе до смерті або тяжких травм".

⚠ Попередження

Вказує на "правила, недотримання яких може призвести до смерті або тяжких травм".

⚠ Обережно

Вказує на "правила, недотримання яких може призвести до травм або пошкодження майна".

■ **Правила, яких слід обов'язково дотримуватися, позначені наступними попереджувальними знаками. (Далі наводяться приклади попереджувальних знаків)**

⊘ Коло зі скісною лінією всередині вказує на заборонені дії та поводження.

❗ Зафарбований кружок вказує на обов'язкові дії та інструкції, яких необхідно дотримуватись для безпечної роботи.

⚠ Небезпека

⊘ **Забороняється**

- **В даний прилад вбудовано акумуляторні батареї. Не кидайте у вогонь, не нагрівайте, а також не заряджайте, не використовуйте та не залишайте прилад у місці з високою температурою.**

Це може призвести до перегрівання, пожежі або вибуху.

⚠ Попередження

⊘ **Не використовуйте даний прилад з адаптером зарядження у ванній кімнаті або у душі.**

- **Не залишайте та не зберігайте адаптер зарядження там, де він може впасти чи потрапити до ванни, раковини або унітазу.** Це може призвести до ураження електричним струмом або пожежі.

⊘ **Забороняється**

- **Не використовуйте прилад, якщо пошкоджено адаптер зарядження, або якщо шнур живлення не щільно прилягає до штепсельної розетки.**

Це може призвести до ураження електричним струмом, короткого замикання або пожежі.

- **Не ламайте, не знищуйте, не змінюйте, не згинайте, не тягніть та не перекручуйте шнур живлення з надмірною силою. Також не ставте на шнур живлення важкі предмети, та не затискайте його між ними.**

Це може призвести до ураження електричним струмом або пожежі.

⊘ **Уникайте потрапляння води!**

- **Не занурюйте адаптер зарядження у воду, та не мийте його водою.**

Це може призвести до ураження електричним струмом або короткого замикання.

⊘ **Не торкайтесь приладу вологими руками**

- **Не вставляйте та не виймайте адаптер зарядження зі штепсельної розетки мокрими руками.**

Це може призвести до ураження електричним струмом.

❗ **Обов'язково до виконання!**

- **Тримайте у місці, недоступному для дітей та малюків.**

Недотримання цього правила може призвести до нещасних випадків та небезпечних ситуацій, таких як, наприклад, випадкове проковтування дитиною аксесуарів або частин приладу, що знімаються.



- Під час проведення технічного догляду виймайте адаптер зарядження зі штепсельної розетки.

Недотримання цієї вимоги може призвести до ураження електричним струмом.

- Регулярно чистьте штекер живлення та адаптер зарядження, щоб на них не накопичувався пил.
Недотримання цієї вимоги може призвести до пожежі внаслідок порушення ізоляції, викликаного вологістю або накопиченням пилу.
- Завжди перевіряйте, щоб прилад працював від такого джерела живлення, яке відповідає номінальній напрузі приладу.
Недотримання цієї вимоги може призвести до ураження електричним струмом або пожежі.

⊘ Не розбирати!

- Жодним чином не видозмінюйте прилад. Також не розбирайте та не ремонтуйте його.
Це може призвести до виникнення пожежі, ураження електричним струмом та травми. Для проведення ремонту (наприклад, для заміни батареї) звертайтеся до магазину, де ви придбали прилад, або до сервісного центру Panasonic.

⚠ Обережно

⊘ Забороняється

- Діти, немовлята, особи, які неспроможні користуватися приладом, та особи з ослабленими сенсорними відчуттями в ротовій порожнині, не повинні користуватися приладом.
Недотримання цього правила може призвести до травм.
- Використовуйте даний прилад виключно для чищення ротової порожнини.
Струмінь води, спрямований в очі, ніс, вуха чи горло, може призвести до отримання серйозної травми. У випадку проведення лікування в ротовій порожнині та при тяжких формах пародонтоз перед використанням приладу обов'язково проконсультуйтеся зі стоматологом.

- Не наповнюйте резервуар водою, температура якої перевищує 40 °С.

Це може призвести до опіків.

⚠ Обов'язково до виконання!

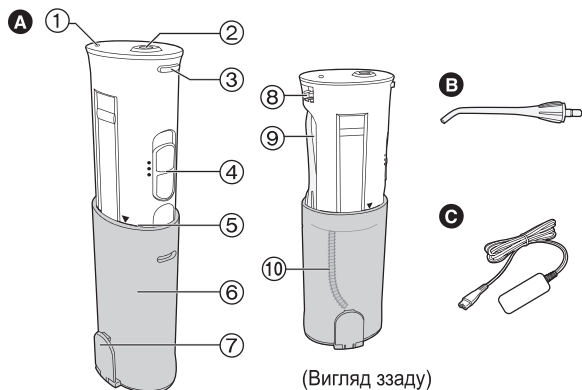
- Під час відключення адаптера зарядження завжди тримайтеся за вилку шнура живлення, а не за шнур.
Недотримання цієї вимоги може призвести до ураження електричним струмом, короткого замикання або пожежі.
- Тримайте прилад гігієнічно чистим та використовуйте для полоскання рота свіжу або злегка підігріту водопровідну воду.
- Завжди виливайте залишки води з резервуару та увімкніть прилад на 2-3 секунди, щоб повністю злити воду після використання.
У разі недотримання санітарно-гігієнічних норм користування приладом, у ньому може утворитися цвіль та розвинутися бактерії, що може зашкодити здоров'ю. Також це може спричинити виникнення неприємного запаху та призвести до несправної роботи приладу.
- Виймайте адаптер зарядження зі штепсельної розетки, якщо прилад не буде використовуватися.
Недотримання цієї вимоги може призвести до ураження електричним струмом або пожежі, внаслідок пошкодження ізоляції.

Обережно

- Забороняється користуватися даним приладом особам (включаючи дітей) з обмеженими фізичними та розумовими здібностями, а також особам з браком досвіду, окрім як під наглядом або після інструктажу щодо використання даного приладу, проведеного особами, відповідальними за їх безпеку. Слідкуйте, щоб діти не гралися приладом.
- Шнур живлення заміні не підлягає. У разі пошкодження шнура, прилад необхідно утилізувати.



Основні частини



(Вигляд спереду)

(Вигляд ззаду)

А Основний блок

- ① Індикатор стану зарядження
- ② Гніздо для насадки
- ③ Кнопка вивільнення насадки
- ④ Перемикач
- ⑤ Робоче положення (маркування ▼)
- ⑥ Резервуар
- ⑦ Пробка горловини для заливання води
- ⑧ Гніздо живлення
- ⑨ Камера для зберігання насадки
- ⑩ Трубка для всмоктування води

- В Насадка (x1)
- С Адаптер зарядження (RE7-46)

► Примітка

В частинах основного блока (резервуар, трубка для всмоктування води) може міститися рідина - це залишки дистильованої води, яка використовувалася для випробування приладу (перевірка

потоків води) та є абсолютно безпечною для здоров'я.

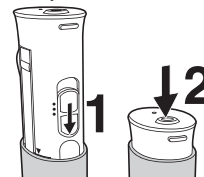
► Перед початком використання

При першому застосуванні навіть здорові ясна можуть кровоточити. Це виникає через те, що ясна не звикли до подібної стимуляції. Зазвичай кровоточивість ясен зникає через 1-2 тижні з початку застосування. Якщо ясна продовжують кровоточити і через 2 тижні, то це може свідчити про наявність хвороби ясен (пародонтоз тощо). В подібному випадку слід припинити користуватися приладом та звернутися до стоматолога.

Зарядження приладу

- Заряджайте прилад при кімнатній температурі в межах 15 - 35 °С.
- У разі зарядження при більш низькій температурі (нижче 15 °С), час роботи може зменшитись. Крім того, при дуже низькій температурі (нижче 0 °С) зарядження може бути неможливим.

1 Переведіть перемикач в положення ВІМК.



2 Приготуйте основний блок до зберігання.

3 Повністю вставте штекер живлення в гніздо живлення.

- Перш ніж вставляти штекер живлення, ретельно витріть всю воду, яка може бути на гнізді.

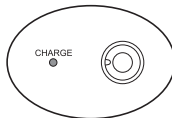


4 Повністю вставте адаптер зарядження в штепсельну розетку.

5 Індикатор стану зарядження має світитися.

Зарядження займає приблизно 8 годин.

- Прилад працюватиме 15 хвилин при 1 повному заряді.



- Якщо залишити основний блок з адаптером зарядження, підключеним до штепсельної розетки, це жодним чином не позначиться на роботі приладу. (Взагалі, постійне зарядження та розрядження акумулятора без повного використання поточного заряду призведе до ефекту запам'ятовування, при якому зменшується час роботи та знижується розрядна напруга. Проте даний прилад зроблено таким чином, що це не вплине на використання.)
- Якщо робота приладу припиняється на початку (одразу після придбання, або через 3 місяці чи більше після останнього використання приладу) або під час використання, обов'язково заряджайте прилад протягом 16 годин або довше. Якщо індикатор стану зарядження не вмикається одразу після підключення основного блока до штепсельної розетки, зачекайте трохи.
- Під час зарядження основний блок трохи нагрівається, проте це є несправністю.
- Заряджайте прилад тільки за допомогою відповідного адаптера зарядження. Використовуйте адаптер зарядження тільки для зарядження відповідного приладу.
- Якщо час роботи зменшується навіть при правильному зарядженні, можливо термін придатності батареї майже скінчився. (Очікуваний термін придатності батареї становить 3 роки, проте він дуже залежить від умов використання та зберігання)

Використання приладу

- Застосовуйте з приладом свіжу або злегка підігріту водопровідну воду.
- Не переводьте перемикач в положення УВІМК., попередньо не спрямувавши насадку у ротову порожнину.

- 1 Відкрийте пробку горловини для заливання води.
- 2 Витягніть білу частину основного блока до робочого положення (маркування ▼).

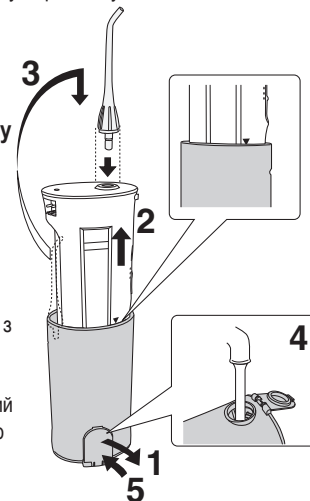
- Якщо пробку горловини для заливання води не відкрити, то основний блок буде витягуватися з ускладненням.
- Тиск води не буде наростати, якщо основний блок не витягнути на всю довжину до робочого положення.
- Будьте уважними, тому що в цей час з камери для зберігання насадки з'являється насадка.

- 3 Вставте насадку в гніздо для насадки, тримаючись за білу частину основного блока.

- Про правильну фіксацію свідчить характерне клацання.

- 4 Залийте воду.

- Завжди використовуйте свіжу водопровідну воду.



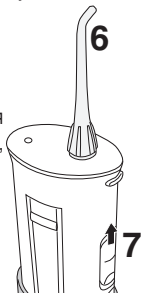
- Якщо вода занадто холодна, трохи підігрійте її, максимум до 40 °С.
- Не заливайте соляні розчини, зубну пасту або хімічні речовини.
- Для забезпечення безперервної роботи слідкуйте, щоб в цей час перемикач знаходився в положенні ВІМК.

5 Закрийте пробку горловини для заливання води.

- Після наповнення щільно закрийте пробку.

6 Спрямуйте насадку у ротову порожнину.

- Якщо прилад надмірно перехилити, то трубка для всмоктування води, яка міститься всередині резервуару, може виходити з води, що призведе до припинення подачі води.



7 Переведіть перемикач в положення УВІМК.

- Повного резервуара вистачає приблизно на 40 секунд роботи.

Можна обрати режим роботи (силу напору).

2 (Звичайний)

- Для звичайного чищення

1 (М'який)

- Якщо ви хвилюєтесь за свої ясна
- Якщо вам здається, що режим 2 (Звичайний) є занадто сильним

- Не притискайте кінчик насадки впритул до зубів чи ясен.
 - Будьте особливо обережними, застосовуючи прилад на особах, які не можуть самостійно керувати приладом, наприклад на малюках та дітях, а також на людях з підвищеною чутливістю зубів та ясен.
 - Не кидайте прилад та поводьтесь з ним обережно.
 - Не використовуйте прилад з пустим резервуаром, окрім як для повного зливання води з приладу.
- Це може призвести до несправної роботи приладу.

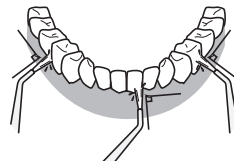
► Корисні поради

- Тримайте прилад вертикально, насадкою вгору.
- Схиліться над раковину.
- Злегка прикрийте рот, щоб вода занадто не розбризкувалась.
- Спрямуйте насадку у ротову порожнину.

Ретельне чищення ротової порожнини

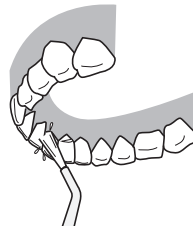
- Спрямуйте струмінь води максимально перпендикулярно в міжзубні проміжки та зубоясенні кишені.
- Повільно пересувайте уздовж ряду зубів.
- Особливо обережно обробляйте міжзубні проміжки та навколо брекетів.

Зовнішня сторона зубів...



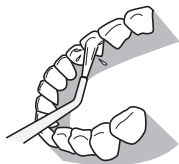
- Спрямуйте струмінь перпендикулярно до зубів.
- Особливо обережно обробляйте міжзубні проміжки та зубоясенні кишені.

Внутрішня сторона зубів...



На верхньому ряді зубів

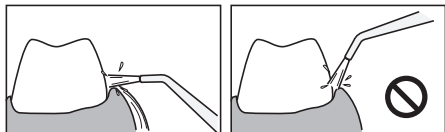
- Відрегулюйте кут спрямування насадки так, щоб вона була спрямована вгору, та подавайте струмінь перпендикулярно до зубів.



На нижньому ряді зубів

- Опустіть підборіддя вниз та подавайте струмінь перпендикулярно до зубів.

- Не спрямовуйте струмінь безпосередньо у зубоясенну кишеню.



Після використання

- Щоб попередити розвиток бактерій, ретельно промийте та висушіть прилад, перш ніж складати його.

- 1** Відкрийте пробку горловини для заливання води та злийте воду з резервуара.



- 2** Переведіть перемикач в положення УВІМК., щоб повністю осушити прилад.

- Залиште прилад увімкненим на 2-3 секунди, поки з нього не витече вся вода.



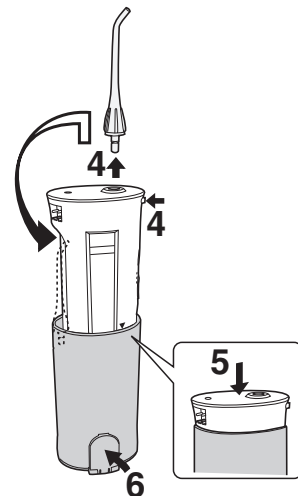
- 3** Переведіть перемикач в положення ВІМК.

- 4** Натисніть кнопку вивільнення насадки, зніміть насадку та встановіть її в камеру для зберігання насадки.

- 5** Приготуйте основний блок до зберігання.

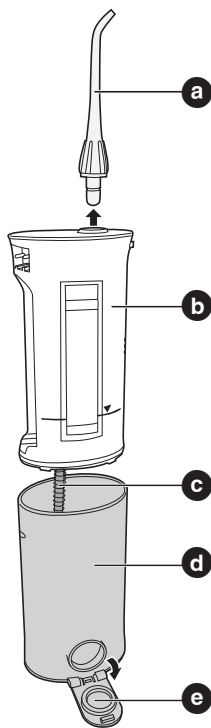
- Натисніть на нього, поки він не клацне.
- Будьте обережними, щоб не затиснути пальці верхньою частиною резервуара.

- 6** Закрийте пробку горловини для заливання води.



- В разі зберігання приладу після використання в пакеті або закритому контейнері, оберніть його в рушник або подібний матеріал, щоб видалити будь-які залишки води.
- Щоб запобігти розвитку бактерій, витягніть його з пакета або контейнера якомога раніше та просушіть.

Догляд



- a** Насадка
(Насадка знімається при натисканні на кнопку вивільнення насадки.)
Промийте у воді та протріть тканиною.
- Насадку слід замінювати не менше одного разу кожні 6 місяців. Якщо кінчик насадки деформувався, слід замінити насадку на нову. Недотримання цього правила може призвести до несправності приладу.
- b** Основний блок
Щоб видалити забруднення, протріть корпус тканиною, змоченою в рідкому миючому засобі, потім витріть сухою тканиною. Якщо прилад дуже забруднився, помийте його у воді.
- Не протирайте прилад розчинниками, бензином, спиртом тощо.
 - Це може призвести до виникнення неполадок у роботі приладу, розтріскування та знебарвлення його частин.
 - Не мийте прилад у воді, температура якої перевищує 50 °С.
 - Не залишайте прилад у воді.
 - Після миття у воді добре висушіть прилад.
- c** Трубка для всмоктування води
Після миття у воді добре висушіть прилад.
- Не згинайте трубку для всмоктування води. Недотримання цього правила може призвести до несправної роботи, наприклад до порушення роботи трубки для всмоктування води.

- d** Резервуар
Резервуар знімається, якщо повністю витягнути корпус, відкривши перед цим пробку горловини для заливання води, що дозволяє ретельно почистити його внутрішню поверхню.
- Промийте у воді та протріть тканиною.
- Видаліть забруднення з внутрішньої поверхні за допомогою щітки або подібних інструментів та добре протріть тканиною.
 - Добре висушіть резервуар, якщо прилад не буде використовуватися протягом тривалого часу.
- e** Пробка горловини для заливання води
Видаліть будь-які відкладення та забруднення.
- Недотримання цього правила може призвести до протікання води.
- Адаптер зарядження
Кожні 6 місяців витирайте металеву частину вилки шнура живлення за допомогою сухої тканини.
- Використовуйте тільки м'які миючі засоби.
 - В жодному разі не використовуйте розчинники, бензин та спирт, тому що вони можуть спричинити несправність в роботі приладу та призвести до розтріскування / знебарвлення частин приладу.

Якщо прилад неправильно функціонує

Перевірте наступне.

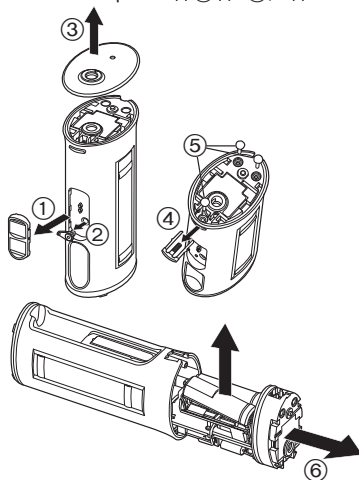
Симптом	Можлива причина	Рішення
Після зарядження працює лише декілька хвилин	<ul style="list-style-type: none">▶ Термін придатності батареї скінчився (приблизно 3 роки)▶ Час зарядження надто короткий	<ul style="list-style-type: none">▶ Зверніться до магазину або сервісного центру Panasonic. (Заборонено самостійно замінювати батарею, оскільки це може призвести до погіршення водонепроникності приладу або несправності)▶ Безперервно заряджайте прилад протягом 16 годин або довше, щоб активувати батарею
Не працює	<ul style="list-style-type: none">▶ Одразу після придбання або через 3 місяці після останнього використання	<ul style="list-style-type: none">▶ Для активації батареї безперервно заряджайте прилад протягом 16 годин або довше.
Низький напір води	<ul style="list-style-type: none">▶ В насадці утворилося засмічення▶ Горловина насадки деформувалася	<ul style="list-style-type: none">▶ Замініть насадку
Відсутня подача води	<ul style="list-style-type: none">▶ Під час використання прилад занадто нахилили▶ Основний блок не витягнуто на всю довжину.	<ul style="list-style-type: none">▶ Тримайте прилад вертикально▶ Повністю витягніть основний блок

Якщо після перевірки приладу та прийняття заходів з усунення проблеми несправність не зникла, припиніть користуватися приладом, щоб попередити небезпечні ситуації, та зверніться в магазин за перевіркою та ремонтом.

28

Виймання вбудованих акумуляторних батарей

Перш ніж викидати прилад, вийміть з нього вбудовані акумуляторні батареї. Будь ласка, утилізуйте батареї у спеціально призначених для цього місцях, якщо вони передбачені у вашому місті. Не розбирайте та не замінійте батареї для продовження користування приладом. Це може призвести до виникнення пожежі або ураження електричним струмом. Замінійте їх у уповноваженому сервісному центрі. Виконайте кроки від ① до ⑥, підніміть батареї, а тоді вийміть їх.



Інформація щодо захисту довкілля та переробки матеріалів

В даний прилад вбудовано нікель-металогідридні батареї. Обов'язково утилізуйте батареї у спеціально призначених місцях, якщо такі передбачені у вашій країні.

Технічні характеристики

Час повного зарядження: прибл. 8 годин

Номінальна напруга: 100 - 240 В перемінного струму 50 - 60 Гц
Вага:

Основний блок: прибл. 265 г

Адаптер зарядження: прибл. 145 г

Даний виріб призначений тільки для побутового використання.

Акcesуари (продаються окремо)

Зверніться до найближчого магазину.

При покупці перевірте "артикул приладу (EW-DJ40)" та "артикул змінної насадки".

Змінні насадки (по 2 в комплекті)

EW0955

3 ідентифікаційним кільцем

Встановлений виробником термін служби (придатності) цього виробу дорівнює 7 рокам з дати виготовлення за умови, що виріб використовується у суворій відповідності щодо дійсної інструкції з експлуатації та технічних стандартів, що застосовуються до цього виробу.

Дату виготовлення зазначено на виробі.

Panasonic Corporation
1006, Kadoma, Osaka 571-8501, Japan
Панасонік Корпорейшн
1006, Кадома, Осака 571-8501, Японія

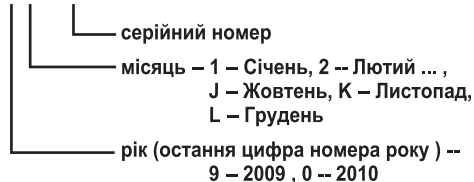
Вироблено в Китаї

Інформаційний центр Panasonic
Міжнародні дзвінки та дзвінки з Києва: +38-0-(44)-490-38-98
Безкоштовні дзвінки зі стаціонарних телефонів в межах України :
0-800-309-880

Примітка:

Дату виготовлення (рік, місяць) ви можете визначити за номером, що знаходиться на виробі.

Номер: X X XXXXX



30

Українська

Қауіпсіздік техника нұсқаулықтары

Осы тарауда мазмұндалған барлық ақпарат өзіңізге және басқа адамдарға жарақат, сондай-ақ мүліктің бүлінуін болдырмау үшін осы аспапты дұрыс әрі қауіпсіз пайдалану жөніндегі нұсқаулық ретінде ұсынылған.

■ **Аспапты дұрыс пайдаланбау салдарынан туындаған зияндар мен мүмкін зақымданулар келесі санаттармен сипатталады.**

⚠ Қауіп

Осы белгі «ережелердің сақталмауы, өлімге немесе ауыр жарақатқа әкелетіндігін» көрсетеді.

⚠ Сақтық шаралары

Осы белгі «өлімге немесе қатты жарақатқа әкелуі мүмкін ережелердің сақталмауын» білдіреді.

⚠ Сақ болыңыз

Осы белгі «жарақатқа немесе мүліктің бүлінуіне әкеліп соқтыратын ережелердің сақталмауын» білдіреді.

■ **Қатаң сақталуы тиіс ережелер келесі ескерту белгілерімен белгіленген. (Әрі қарай ескерту белгілерінің мысалдары көрсетілген).**

○ Сызылған дөңгелек тыйым салынған әрекеттерді және аспапқа күтім жасау тәсілдерін көрсетеді.

❗ Қара түспен боялған дөңгелек қауіпсіз жұмысты қамтамасыз ету үшін қатаң сақталатын міндетті әрекеттер мен нұсқаулықтарды көрсетеді.

⚠ Қауіп

○ Тыйым салынады

- Құрал аккумулятор батареяларымен жабдықталған.
Құралды отқа тастауға, қыздыруға, қызуы жоғары орындарда

зарядтауға, пайдалануға, қалдыруға тыйым салынған.
Кері жағдайда құрал қызып, өрт немесе жарылыс тудыруы мүмкін.

⚠ Сақтық шаралары

○ Зарядтау адаптері жалғанған құралды ваннада немесе душта пайдаланбаңыз.

• Зарядтау адаптерін ваннаға, раковинаға немесе унитазға құлауы мүмкін жерде қалдырмаңыз, сақтамаңыз.

Кері жағдайда электр тогының соғуына немесе өрт шығуына әкелуі мүмкін.

○ Тыйым салынады

• Зарядтау адаптері зақымдалған немесе қоректену сымы розеткаға тығыз жалғанбаған құралды пайдаланбаңыз.

Бұл электр тогының соғуына, тұйықталуға немесе өрттің шығуына әкелуі мүмкін.

• Қоректену сымын күштеп зақымдамаңыз, жоймаңыз, өзгертпеңіз, имеңіз және ширатпаңыз. Сондай-ақ, үстіне ауыр зат қоймаңыз, қыспаңыз.

Бұл электр тогының соғуына немесе өрттің шығуына әкелуі мүмкін.

○ Құрғақ сақтаңыз!

• Зарядтау адаптерін суға салмаңыз, сумен жумаңыз.

Бұл электр тогының соғуына немесе тұйықталуға әкелуі мүмкін.

○ Құралды ылғалды қолмен алмаңыз

• Зарядтау адаптерін ылғал қолыңызбен розеткаға жалғамаңыз және одан ажыратпаңыз.

Бұл электр тогының соғуына әкелуі мүмкін.

❗ Орындау міндетті!

• Балалар мен нәрестелердің қолы жетпейтін жерде сақтаңыз.

Бұл ережені сақтамау баланың аспаптың керек-жарақтарын немесе алмалы бөліктерін кездейсоқ жұтып қою сияқты жазатайым оқиғалардың және қауіпті жағдайлардың туындауына әкеліп соқтыруы мүмкін.

- **Құралға күтім жасауда зарядтау адаптерін розеткадан ажыратыңыз.**
Бұл ережені сақтамау электр тогының соғуына әкелуі мүмкін.
- **Шаңның жиналуынан қорғау үшін қоректену штекері мен зарядтау адаптерін жиі тазартыңыз.**
Ылғалдану мен шаң жиналудан болатын оқшаулаудың бүлінуі өрт тудыруы мүмкін.
- **Тұрақты түрде құралдың көрнеу номиналы сәйкес қоректену көзінен жұмыс істеп тұрғанын тексеріңіз.**
Кері жағдайда электр тогының соғуы немесе өрт шығуы мүмкін.
- **Бөлшектеуге болмайды!**
- **Ешқашан аспаптың сыртқы түрін өзгертпеңіз. Сонымен қатар, оны бөлшектемеңіз және жөндемеңіз.**
Кері жағдайда өрттің шығуына, электр тогының соғуына немесе жарақаттануға әкелуі мүмкін. Құралды жөндеу (мысалы, батареяларды ауыстыру) үшін оны сатқан дүкенмен немесе Panasonic қызмет көрсету орталығымен байланысыңыз.

⚠ Сақ болыңыз

🚫 Тыйым салынады

- **Балаларға, нәрестелерге, аспапты дербес басқара алмайтын тұлғаларға, сонымен қатар ауыз қуысының сезімталдығы әлсіз тұлғаларға осы аспапты қолдануына болмайды.**
Осы ережені сақтамау жарақаттануға әкеліп соқтыруы мүмкін.
- **Аспапты тікелей ауыз қуысын тазалауға қолданыңыз.**
Көзге, мұрын, құлақ немесе тамаққа бағытталған су ағыны маңызды жарақаттауы мүмкін. Ауыз қуысына ем жүргізілген жағдайда, сондай-ақ пародонтоздың ауыр түрлерінде аспапты пайдаланар алдында тіс дәрігеріне қаралыңыз.
- **Су ыдысына температурасы 40 °C-тан жоғары су құймаңыз.**
Бұл шырышты қабаттың күйіне алып келуі мүмкін.

32

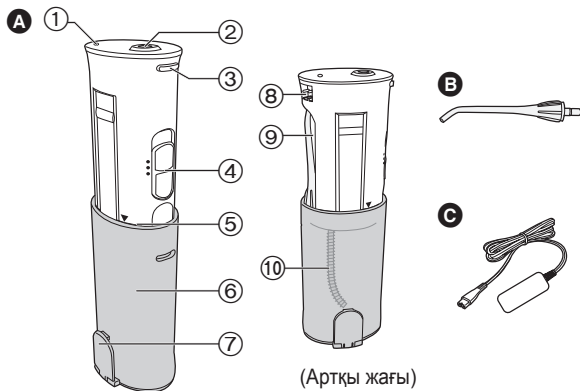
! Орындау міндетті!

- **Зарядтау адаптерін розеткадан сымнан тартып емес, қоректену ашасынан ұстап ажыратыңыз.**
Кері жағдайда электр тогының соғуы, қысқа тұйықталу немесе өрт шығуы мүмкін.
- **Аспапты гигиеналық таза ұстаңыз және ауыз тазалығы үшін жаңа немесе жылы ағынды суды қолдануға болады.**
- **Су ыдысынан су қалдықтарын төгіп, аспапты оны қолданғаннан кейін толығымен көбуі үшін 2-3 секундқа сөндіріңіз.**
Аспаптың санитарлық-гигиеналық қолдану нормалары сақталмаған жағдайда оның ішінде денсаулыққа зиянды зең мен бактериялар пайда болуы мүмкін. Сондай-ақ, бұл жағымсыз иістің пайда болуына және жұмыстағы ақауға себепші болуы мүмкін.
- **Құралды пайдаланбағанда зарядтау адаптерін розеткадан ажыратыңыз.**
Кері жағдайда оқшаулаудың бүлінуінен электр тогының соғуы немесе өрт шығуы мүмкін.

Сақ болыңыз

- Бұл аспапты балаларды қоса алғанда, физикалық, сенсорлық қабілеті шектеулі немесе ақыл-есі кем тұлғалармен немесе тиісті білімі мен тәжірибесі жоқ тұлғалармен қолдануға болмайды. Мұндай адамдармен аспапты қолдануға оның қауіпсіздігіне жауапты тұлғалардың бақылауымен және оның тарапынан аспаппен жұмыс істеу жөнінде анық нұсқау беру шарттарымен ғана жол беріледі. Балалардың аспаппен ойнамауын қадағалау қажет.
- Қоректену сымсы ауыстырылмайды. Ол зақымданған жағдайда құрал тұрмыстық қалдық ретінде пайдаланылады.

Бөлшектері



(Алдыңғы жағы)

(Артқы жағы)

A Негізгі блок

- ① Заряд деңгейін көрсететін индикатор
- ② Саптаманы орнату ұяшығы
- ③ Саптаманы босату түймесі
- ④ Қосқыш
- ⑤ Жұмыс қалпы (▼ маркировкасы)
- ⑥ Су ыдысы
- ⑦ Су құю мойнының тығыны

⑧ Қоректену ұясы

- ⑨ Саптама сақтау бөлімі
- ⑩ Сору түтікшесі

B Саптама (x1)

C Зарядтау адаптері

► Ескерту

Негізгі блоктың ішкі бөліктерінде (су ыдысы, сору түтікшесі) су қалдығы болуы мүмкін, бірақ сіз бұл аспапты сынау (су тогын

тексеру кезінде) үшін денсаулыққа қауіпсіз қолданылған дистилденген су екендігін білуіңіз тиіс.

► Аспапты қолданар алдында

Аспапты алғаш қолданған кезде қызыл иек тіпті сау болса да, әлсіз қанауы мүмкін. Бұл қызыл иектің мұндай әрекетке үйренбеген салдарынан болады. Әдетте, тұрақты 1-2 апта пайдаланғаннан кейін қызыл иектің қанағаны тоқтайды. Егер 2 апта пайдаланғаннан кейін де қызыл иектің қанағаны тоқтамаса, онда бұл қызыл иек ауыруының (пародонтоз және т.б.) бар екендігін білдіруі мүмкін. Бұл жағдайда аспапты қолдануды тоқтатып, тіс дәрігеріне қаралыңыз.

Құралды зарядтау

- Құралды 15 - 35 °C- ауа температурасында зарядтаңыз.
- Төмен температурада (15 °C-тан төмен) зарядтаған кезде құралды пайдалану уақыты азаюы мүмкін. Өте төмен температурада (0 °C-тан төмен) зарядталмауы мүмкін.

1 Қосқышты СӨНДІРУ бағытына өзгертіңіз.

2 Негізгі блокты сақтауға дайындаңыз.

3 Қоректену штекерін қоректену ұясына толық қосыңыз.

- Қоректену штекерін ұяны құрғатып барып қосыңыз.

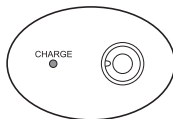


4 Зарядтау адаптерін розеткаға тығыз қосыңыз.

5 Зарядтау индикаторының жанғанын тексеріңіз.

Зарядтау шамамен 8 сағатта орындалады.

- 1 рет толық зарядталған құралды 15 минут пайдалануға болады.



- Негізгі блокты зарядтау адаптерімен бірге розеткаға қосылған күйде қалдыру құрал жұмысына әсер етпейді. (Батареяның ағымдағы зарядын толық пайдаланбай қайта-қайта зарядтау сақтау эффектіні туындатады және қолдану уақытын қысқартады, разряд кернеуін төмендетеді. Соған қарамастан, бұлардың құралды қолдануға кері әсері жоқ.)
- Егер құрал басында (сатып алғаннан кейін бірден немесе 3 не одан артық ай пайдаланғаннан кейін) немесе пайдалану кезінде жұмысын тоқтататын болса, онда оны 16 сағат не одан артық уақыт зарядтаңыз. Негізгі блокты қосқанда зарядтау индикаторы жанбаса, біршама күтіңіз.
- Зарядтау барысында негізгі блок қызады, бұл қалыпты құбылыс.
- Құралды зарядтауда тек сәйкес зарядтау адаптерін пайдаланыңыз. Зарядтау адаптерін тек лайықты құралды зарядтау үшін ғана пайдаланыңыз.
- Егер жұмыс барысында дұрыс зарядталуына қарамастан қуаты азаятын болса, бұл батареяның жарамдылық уақытының біткендігінен болуы мүмкін. (Батареяның жарамдылық мерзімі 3 жыл, алайда ол қолдану және сақтау жағдайына тікелей тәуелді)

Аспапты қолдану

- Аспаппен бірге жаңа немесе жылы ағынды суды қолдануға болады.
- Саптаманы ауызға бағыттамай тұрып қосқышты ҚОСУ бағытына өзгертуге болмайды.

1 Су құю мойнының тығынын ашыңыз.

2 Негізгі блоктың ақ бөлігін жұмыс қалпына дейін (▼ маркировка) созыңыз.

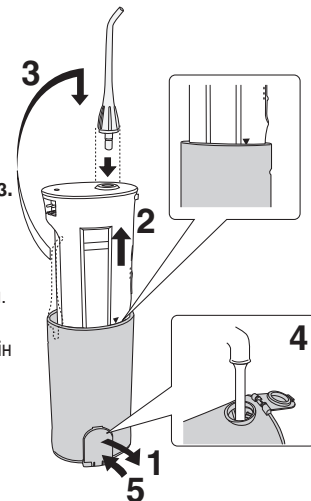
- Егер су құю мойнының тығыны ашылмаса, негізгі блоктың шығарылуы қиындайды.
- Егер негізгі блок жұмыс бағытының белгісіне дейін тартылмаса, су ағыны көтерілмейді.
- Бұл жағдайда сақ болыңыз, себебі саптама сақталатын камерада саптама атқылап шығуы мүмкін.

3 Негізгі блокты оның белгілі бөлігінен ұстап, саптаманы оны орнататын ұяшыққа енгізіңіз.

- Сипатты ілінгенге дейін берік бекітіңіз.

4 Су құйыңыз.

- Әрдайым жаңа ағынды суды қолданыңыз.
- Егер су салқын болса, оны 40 °С-қа дейін қыздырыңыз.



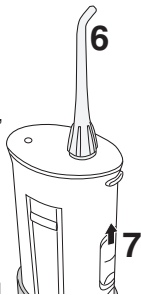
- Тұзды ерітінді, тіс пастасын немесе химиялық заттарды құймаңыз.
- Үздіксіз жұмысты қамтамасыз ету үшін қосқыштың СӨНДІРУ бағытында болуын қадағалаңыз.

5 Су құю мойнының тығынын жабыңыз.

- Толтырғаннан кейін тығынды тығыз жабыңыз.

6 Саптаманы ауызға бағыттаңыз.

- Аспапты пайдалану барысында артық иген жағдайда, сору түтікшесі су ыдысындағы судан шығып кетуі мүмкін, бұл судың берілуін тоқтатады.



7 Қосқышты ҚОСУ бағытына ауыстырыңыз.

- Суға толған су ыдысы 40 секунд жұмыс уақытына жетеді.

Жұмыс режимін (ағын күшін) таңдауға болады

2 (Қалыпты)

- Қарапайым тазалау үшін

1 (Жұмсақ)

- Өзіңіздің қызыл иегіңіздің саулығына мазасызданатын болсаңыз
- 2 (Қалыпты) режимінің қаттылығын сезінсеңіз

- Саптаманың ұштығын тіске немесе қызыл иегіңізге тым қатты баспаңыз.
- Аспапты дербес қолдана алмайтын адамдарға, мысалы, балалар мен нәрестелерге, сондай-ақ, тістері және қызыл иектері жоғары сезімтал адамдарға аспапты қолданған жағдайда аса сақ болыңыз.
- Аспапты тастауға болмайды және оны аса сақтықпен қолданыңыз.
- Аспапты қолданғаннан кейін оны толығымен кептіретін жағдайдан басқа, бос су ыдысымен аспапты қосуға болмайды.

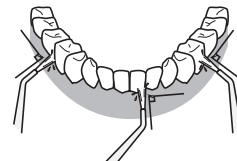
► Пайдалы кеңестер

- Саптаманы жоғары қаратып, аспапты тігінен ұстаңыз.
- Раковинаға еңкейіп тұрыңыз.
- Суды шашыратпау үшін аузыңызды аздап жабыңыз.
- Саптаманы ауызға бағыттаңыз.

Ауыз қуысын мұқият тазалау

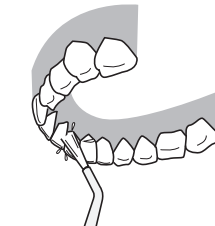
- Су ағынын тіс арасындағы қуысқа немесе тіс қызыл иектерінің қатпарларына перпендикуляр бағытта ұстаңыз.
- Тіс қатарымен жайлап жылжытыңыз.
- Тістер арасындағы қуыс пен брекет айналасын тазалауға аса назар аудару қажет.

Тіс қатарының сыртқы беті



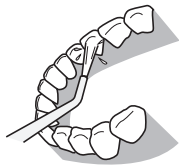
- Су ағынын тіске перпендикуляр бағыттаңыз.
- Тістер арасындағы қуыстарға және тіс қызыл иектерінің қатпарларын тазалауға аса назар аудару қажет.

Тіс қатарының ішкі беті



Үстіңгі тістер

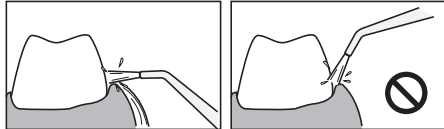
- Саптама бұрышын тігінен жоғары қаратып дәлдеңіз және су ағынын тістерге перпендикулярлы бағыттаңыз.



Төменгі тістер

- Иегіңізді төмен түсіріп, су ағынын тістерге перпендикулярлы бағыттаңыз.

- Су ағынын тістің қызыл иек қалталарына тікелей бағыттауға болмайды



Аспапты пайдаланғаннан кейін

- Оны сақтауға жинамас бұрын жақсылап жуып, кептіріңіз. Себебі, бактерияның даму қауіптілігі туындауы мүмкін.

- 1 Су құю мойнының тығынын ашып, су ыдысынан қалдық суды төгіңіз.**



- 2 Қосқышты ҚОСУ бағытына ауыстырып, аспаптың ішкі бөліктерін толығымен кептіріңіз.**

- Аспапты су ағып кеткенінше 2-3 секундқа қосылған күйінде қалдырыңыз.



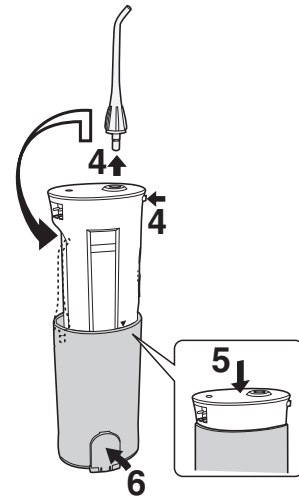
- 3 Қосқышты СӨНДІРУ бағытына өзгертіңіз.**

- 4 Саптаманың босату түймесі арқылы саптаманы шешіп алып, оны саптама сақтайтын камераға салыңыз.**

- 5 Негізгі блокты сақтауға дайындаңыз.**

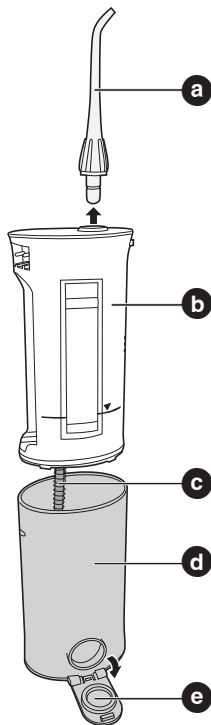
- Оны сипатты ілінгенге дейін басыңыз.
- Су ыдысының жоғарғы бөлігі саусағыңызды қысып қалмауын қадағалаңыз.

- 6 Су құю мойнының тығынын жабыңыз.**



- Аспапты пайдаланғаннан кейін оны пакетте немесе осыған ұқсас жабық контейнерде сақтаған жағдайда кез келген су қалдығынан кептіру үшін оны сүлгіге немесе ұқсас материалға ораңыз.
- Бактерияның дамуын болдырмау мақсатында аспапты ертерек кептіру үшін пакеттен немесе контейнерден алыңыз.

Күтім жасау



a Саптама

(Саптама босатқыш түймесінің көмегімен алынады.)

Суда жуып, шүберекпен сүртіңіз.

- Саптаманы 6 айда бір рет ауыстыру қажет. Егер саптама ұштығы зақымданса, саптаманы міндетті түрде ауыстыру қажет. Бұл ережені сақтамаған жағдайда жұмыс барысында ақау туындауы мүмкін.

b Негізгі блок

Сұйық, жуу құралына малынған шүберекпен ластарды сүртіп, құрғақ шүберекпен сүртіңіз. Қатты ластанған жағдайда, суда жуу ұсынылады.

- Еріткіштерді, бензин, спирт және басқаларды қолдануға болмайды.
- Бұл жұмыс барысында ақаудың туындауына, аспап бөліктерінің жарылуына немесе түссізденуіне себепші болуы мүмкін.
- Аспапты температурасы 50 °С-тан жоғары суда жууға болмайды.
- Аспапты суда қалдырмаңыз.
- Сумен жуғаннан кейін жақсылап кептіріңіз.

c Сору түтікшесі

Сумен жуғаннан кейін жақсылап кептіріңіз.

- Сору түтікшесін июге болмайды.
- Бұл ережені сақтамаған жағдайда сору түтікшесінің жұмысы бұзылуы сияқты жұмыс барысында ақаулар орын алуы мүмкін.

d Су ыдысы

Алдын ала су құю мойнының тығынын ашып, корпусты толығымен тартып шығару арқылы су ыдысын алуға болады. Бұл ішкі беттерді тазалауға мүмкіндік береді.

Суда жуып, шүберекпен сүртіңіз.

- Қылсүрткінің немесе осыған ұқсас құралдың көмегімен ішкі беттерден ластарды тазалаңыз және шүберекпен сүртіңіз.
- Аспап ұзақ уақыт қолданылмайтын болса, су ыдысын кептіру міндетті болып табылады.

e Су құю мойнының тығыны

Барлық түзілімдер мен ластардан тазалаңыз.

- Бұл ережені сақтамаған жағдайда судың ағуы сияқты ақау орын алуы мүмкін.

Зарядтау адаптері

Әр 6 айда бір рет қоректену ашасының темір бөлігін құрғақ матамен сүртіп тұрыңыз.

- Жұмсақ жуғыш құралдарды қолдану ұсынылады.

Еріткіштерді, бензин, спирт және басқаларды қолдануға болмайды. Бұл жұмыс барысында ақаудың туындауына, аспап бөліктерінің жарылуына/ түссізденуіне себепші болуы мүмкін.

Аспап дұрыс жұмыс істемеген жағдайда

Төмендегілерді тексеріңіз.

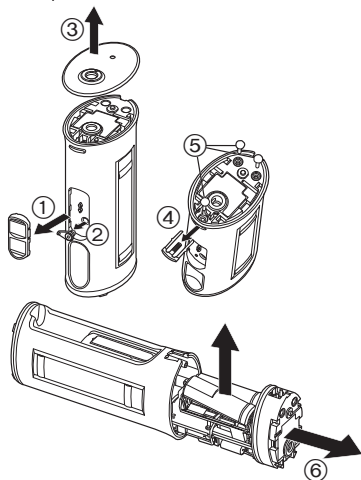
Белгі	Мүмкін себебі	Шешім
Зарядталғаннан кейін бірнеше минут қана жұмыс істейді	▶ Батареяның жарамдылық мерзімі аяқталған (шамамен 3 жыл)	▶ Дүкенмен немесе Panasonic қызмет көрсету орталығымен байланысыңыз. (Батареяны өз бетіңізбен ауыстыруға тыйым салынған, нәтижеде құралдың су өткізбеуі немесе жұмысы бүлінуі мүмкін)
	▶ Зарядтау уақыты тым қысқа	▶ Батареяны белсендендіру үшін құралды үздіксіз 16 сағат не одан да көп уақыт зарядтаңыз
Құрал жұмыс істемейді	▶ Сатып алғаннан кейін бірден немесе соңғы пайдаланудан 3 айдан кейін	▶ Батареяны белсендендіру үшін құралды үздіксіз 16 сағат не одан да көп уақыт зарядтаңыз
Су қысымы төмен	▶ Саптамада ластар тұрып қалған	▶ Саптаманы ауыстырыңыз
	▶ Саптаманың аузы зақымдалған	
Су келмейді	▶ Аспап оны қолданған кезде тым көп еңкейтілген	▶ Аспапты қолданған кезде тік бағытта ұстаңыз.
	▶ Негізгі блокты ұзына бойы тартып шығару мүмкін емес.	▶ Негізгі блокты толығымен тартып шығарыңыз.

Егер ақау тексеруді жүргізу және оны жою шараларын қолданғаннан кейін де қалса, қауіпті жағдайларды болдырмау үшін аспаптың қолданылуын тоқтатып, тексеру және жөндеу үшін дүкенге жеткізіңіз.

38

Ішіндегі аккумулятор батареяларын алу

Құралды тұрмыстық қалдыққа тастамас бұрын ішінен аккумулятор батареяларын шығарыңыз. Батареялардың мекеніңіздегі ресми мекемеде утилизацияланғанына көз жеткізіңіз. Құралды қайта пайдалану мақсатында батареяларды өз бетіңізбен бөлшектемеңіз және ауыстырмаңыз. Бұл өрт шығуына немесе электр тогының соғуына әкелуі мүмкін. Оларды рұқсаты бар қызмет орталығында ауыстырыңыз. 6 қадамдарды ретімен орындап, батареяларды көтеріп, шығарып алыңыз.



Қоршаған ортаны қорғау және тұрмыстық қалдықты қайта өңдеу.

Құрал никель -металгидридті батареялармен жабдықталған. Батареялар утилизациясының мекеніңіздегі ресми мекемедеорындалғандығына көз жеткізіңіз.

Техникалық сипаттамалары

Зарядтау уақыты: шамамен 8 сағат

Номиналды ток кернеуі: 100 - 240 В, айнымалы ток 50 - 60 Гц

Салмағы:

Негізгі блок: шамамен 265 г

Зарядтау адаптері: шамамен 145 г

Мына құрал тұрмыстық жағдайда пайдалануға ғана арналған.

Керек-жарақтар (Бөлек сатылады)

Жақын орналасқан дүкеннен алуға болады.

Аспапты сатып алған кезде оның артикулын (EW-DJ40) және ауыспалы саптама артикулын тексеріп алыңыз.

Ауыспалы саптама (жинақта 2 саптама)

EW0955

Сәйкестендірілген сақинасымен



Panasonic Corporation
<http://panasonic.net/>
© Panasonic Corporation 2011-2014

Printed in China
EW9700DJ40F3520 S1111-51014

© EN, RU, UA, KZ

